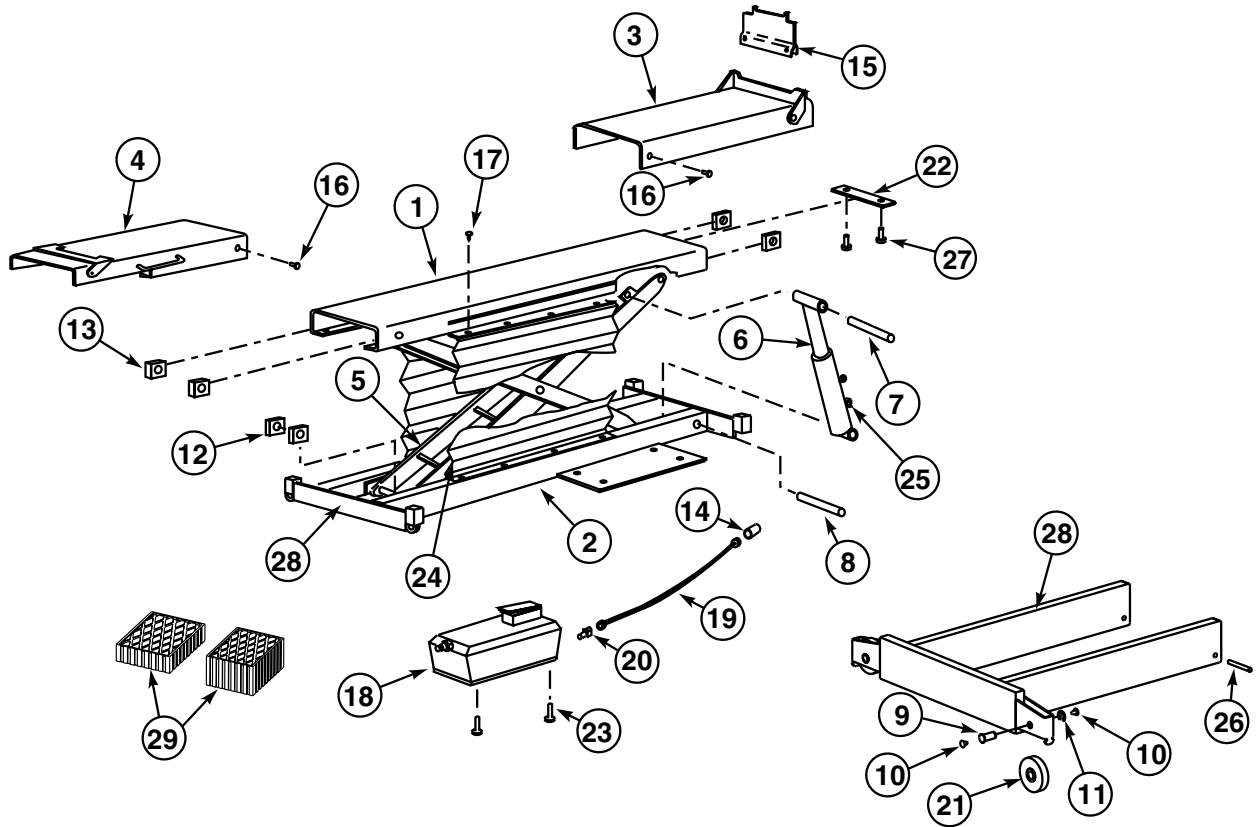




World Leader in Lift Productivity

RJ2727/RJ2727-1

Capacity 2,800 kg



**P
A
R
T
S

B
R
E
A
K
D
O
W
N**

1. Top Channel Weldment	FC5890-7	13. Slider	FC5185-67
2. Bottom Channel Weldment	SB300042	14. Velocity Fuse	FC5890-16
3. Right Hand Sliding Adapter		15. Auxiliary Adapter	FC5807-9
RJ2727	SB500066	16. Stop Bolt	FC576
RJ2727-1	FC5890-4	17. Guard Retainer	FC5185-69
4. Left Hand Sliding Adapter		18. Pump	FC5889
RJ2727	SB500066	19. Hose	FC5890-25
RJ2727-1	FC5890-3	20. Elbow Adapter	FC5185-45
5. Link Weld Assembly	FC5631	21. Wheel	SB700005
6. Hydraulic Cylinder	FC5642	22. Link Retainer Bar	FC5629
1/4"-20NC x 1/4" Set Screw	40042	23. 1/4"-20NC x 1/2" HHCS	40062
7. Upper Cylinder Pin	FC5639	24. Guard	FC5144-1
8. Lower Cylinder Pin	FC5640	25. Elbow Adapter	FC5890-18
Bearing	FC5185-57	26. 1/4" x 1" Roll Pin	14420
9. Wheel Pin	SB700004	27. 3/8"-16NC x 1/2" HSHCS	40127
10. Bumper	SB700001	3/8" Lockwasher	40845
11. Wheel Clip	SB700002	28. Telescoping End Weldment	SB300044
12. Narrow Slider	FC5185-68	29. 1-1/2" Adapter Block	FJ2427
		3" Adapter Block	FJ2428