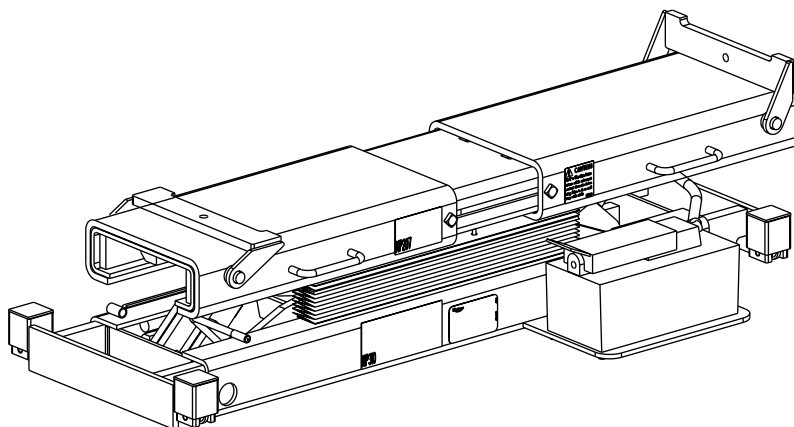




World Leader in Lift Productivity

# RJ4100

Capacity 4,100 kg



P  
A  
R  
T  
S  
  
B  
R  
E  
A  
K  
D  
O  
W  
N

**IMPORTANT:** When ordering parts or requesting service always give exact model and power unit serial number. Model number is shown on nameplate attached to air lock release valve. Power unit serial number is located on side of power unit.

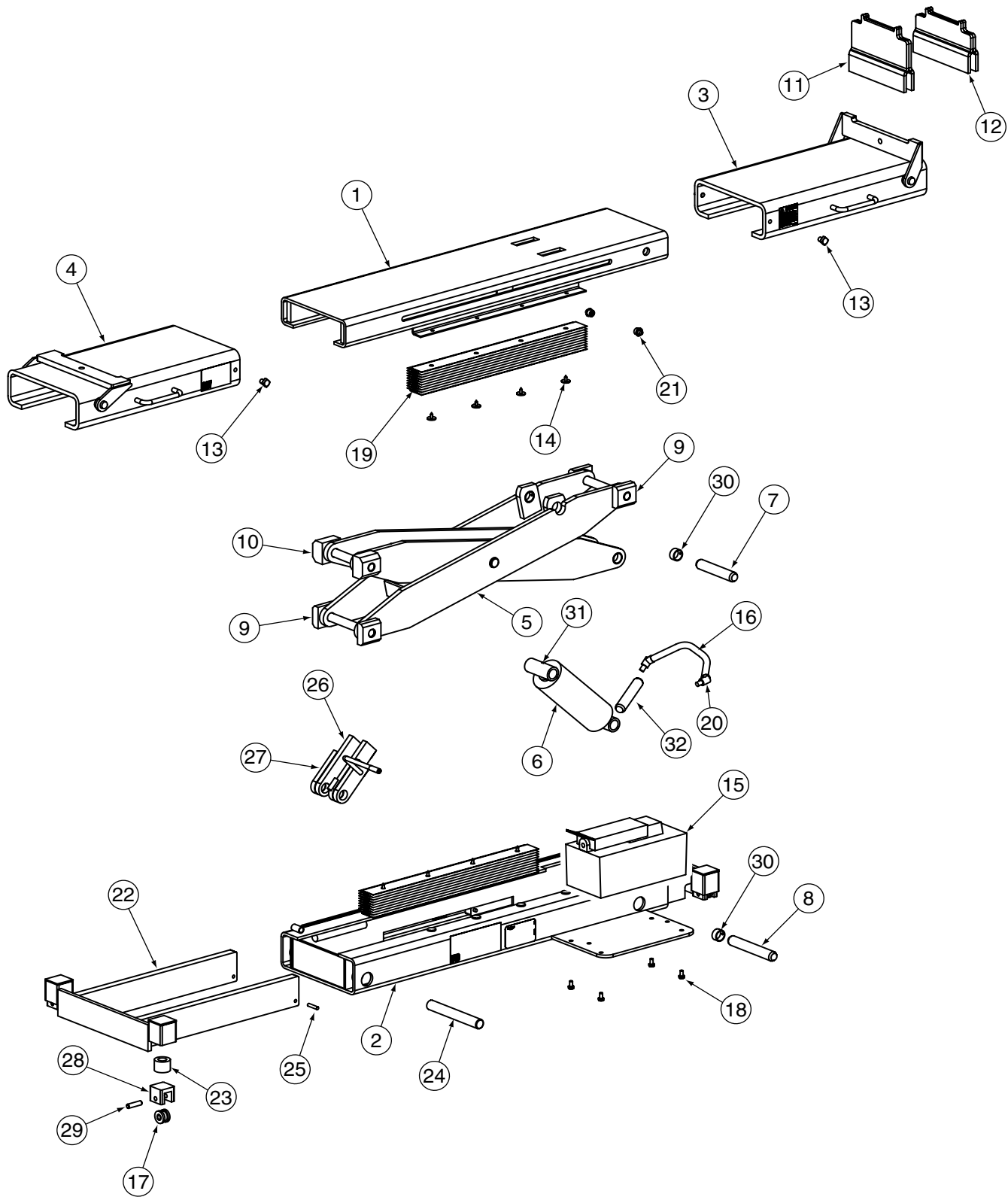
**OWNERS RECORD**  
Complete information at right and keep in a safe place.

Date Installed \_\_\_\_\_  
 Installed in Bay # \_\_\_\_\_  
 Power Unit Serial # \_\_\_\_\_  
 Power Unit Model # \_\_\_\_\_  
 Lift Serial # \_\_\_\_\_  
 Lift Model # \_\_\_\_\_

**NOTE:** For replacement parts -See your nearest Rotary Parts Distributor.

**PB 25-2-16**  
Rev. A 09/11/02

ITEM #	DESCRIPTION	PART #	QTY.
1	Upper Channel Assembly	FC5818-47	1
2	Lower Channel Assembly	FC5783-2	1
3	Right Hand Sliding Adapter	FC5818-37	1
4	Left Hand Sliding Adapter	FC5818-24	1
5	Link Weld	FC5783-4	1
6	Hydraulic Cylinder	FC5818-18	1
7	Upper Cylinder Pin	FC5818-51	1
8	Lower Cylinder Pin	FC5818-32	1
9	Slider	FC5185-68	1
10	Slider	FC5185-67	1
11	3-7/8" Tall Auxiliary Adapter	FC5108	1
12	5-3/8" Tall Auxiliary Adapter	FC579	1
13	3/8"-16NC x 5/8" Lg Stop Bolt	FC576	1
14	Pinetree Retainer	FC5185-69	1
15	Pump	FC5954	1
16	Hose	FC5890-25	1
17	Roller	FC5895-8	1
18	1/4"-20NC Self Tapping Screw	40062	4
19	Bellows	FC5144-1	1
20	Elbow Adapter	FC5185-45	1
21	3/8"-16NC x 3/8" Lg. Socket Head Cap Screw	40079	4
	3/8" External Tooth Lock Washer	40845	4
22	Telescoping End Weld	FC5960-1	1
23	Spring	FC5960-4	1
24	Pin	FC5818-32	2
25	1/4" x 1"Lg. Roll Pin	14420	1
26	Long Dog Weldment	FC5783-12	1
27	Short Dog Weldment	FC5783-10	1
28	Axle Support	FC5895-7	1
29	Axle	FC5895-10	4
30	Sleeve Bearing	FC5818-40	2
31	1/4"-20NC Set Screw	40042	2
32	Velocity Fuse	SB700019	1



World Headquarters:

**Rotary Lift**  
**A DOVER COMPANY**

2700 Lanier Drive  
Madison, Indiana USA  
Phone: 1.800.640.5438  
Phone: 1.812.273.1622  
Fax: 1.800.578.5438  
Fax: 1.812.273.6502  
Email: [userlink@rotarylif.com](mailto:userlink@rotarylif.com)  
Internet: [www.rotarylif.com](http://www.rotarylif.com)

Italy:  
(European Manufacturing Headquarters)  
**Rotary Lift Europe S.r.l.**  
Manoppello Scalo  
Phone: +39.085.856.9058  
Fax: +39.085.856.9059  
Email: [rotary.europe@rotaryeurope.com](mailto:rotary.europe@rotaryeurope.com)

Germany:  
(European Sales Headquarters)  
**Rotary Lift Germany GmbH**  
Bensheim  
Phone: +49.6251.582.640  
Fax: +49.6251.582.6422  
Email: [sales@rotarylif.de](mailto:sales@rotarylif.de)

United Kingdom:  
(Regional Sales Office)  
**Rotary Lift (UK) LTD.**  
Halstead, Essex  
Phone: +44.178.747.7711  
Fax: +44.178.747.7720  
Email: [sales@rotarylif.idps.co.uk](mailto:sales@rotarylif.idps.co.uk)

Canada:  
(Regional Sales Office)  
**Dover Corp. (Canada) LTD.**  
Rotary Lift Division  
Mississauga, Ontario  
Phone: 905.812.9920  
Fax: 905.812.9719  
Email: [canada@rotarylif.com](mailto:canada@rotarylif.com)

Austral-Asia:  
(Regional Sales Office)  
**Rotary Lift Austral/Asia**  
Petaling Jaya, Malaysia  
Phone: +60.3.7660.0285  
Fax: +60.3.7660.0289  
Email: [rlim@rotarylif.com](mailto:rlim@rotarylif.com)

