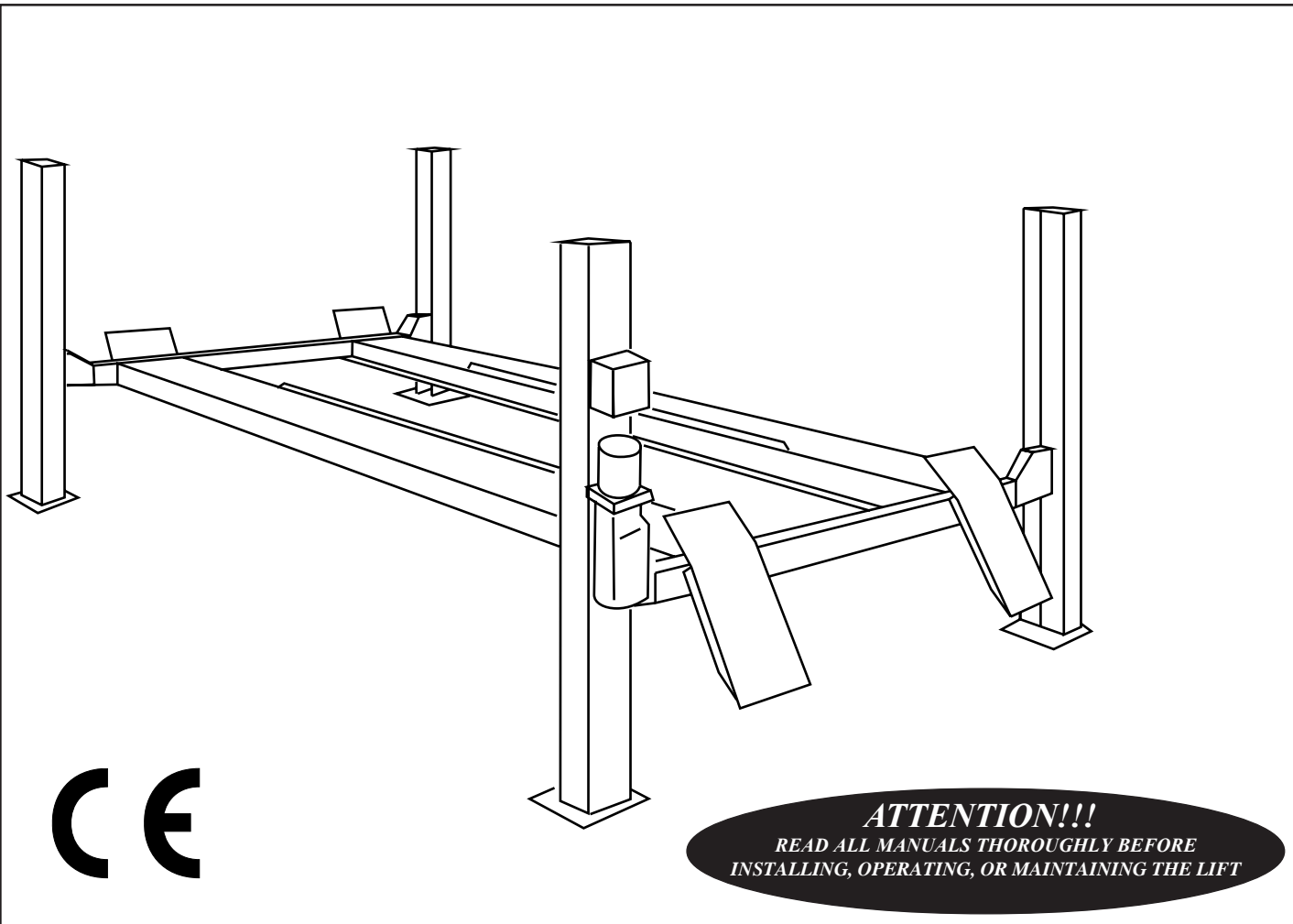




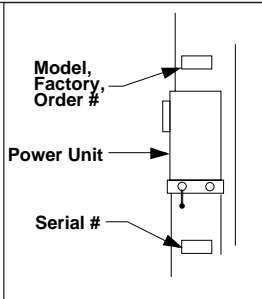
World Leader in Lift Systems

Model SM80-1 SM80-11 Parts Breakdown



ATTENTION!!!
READ ALL MANUALS THOROUGHLY BEFORE
INSTALLING, OPERATING, OR MAINTAINING THE LIFT

IMPORTANT: When ordering parts or requesting service, always give exact model and power unit serial number. Model number is shown on nameplate attached to power unit column. Power unit serial number is located on side of reservoir.



NOTES:

OWNER'S RECORD

Complete information at right and keep in a safe place.

Date Installed _____

Installed In Bay # _____

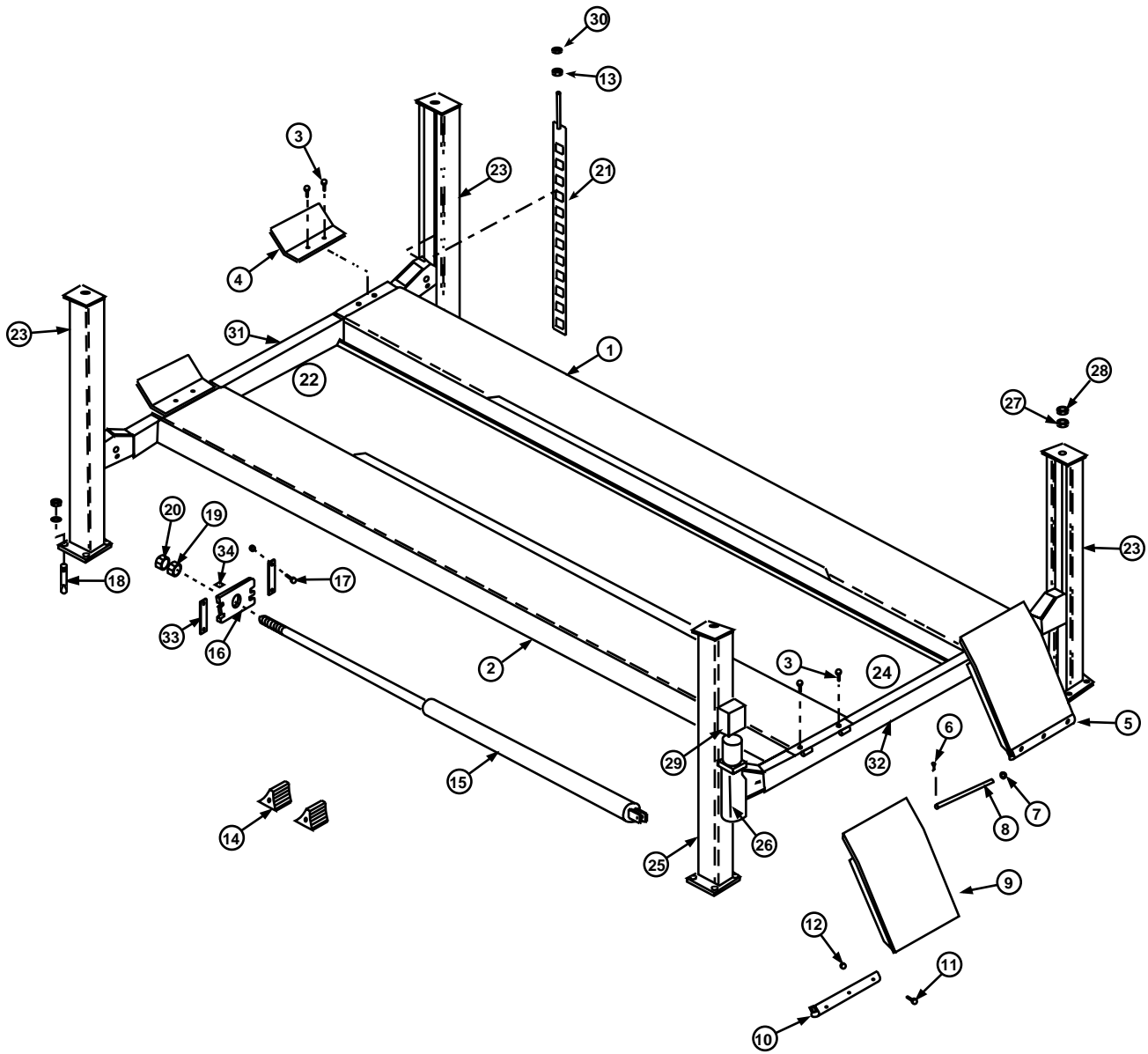
3 ph Serial # _____ P1092

Factory Order # _____

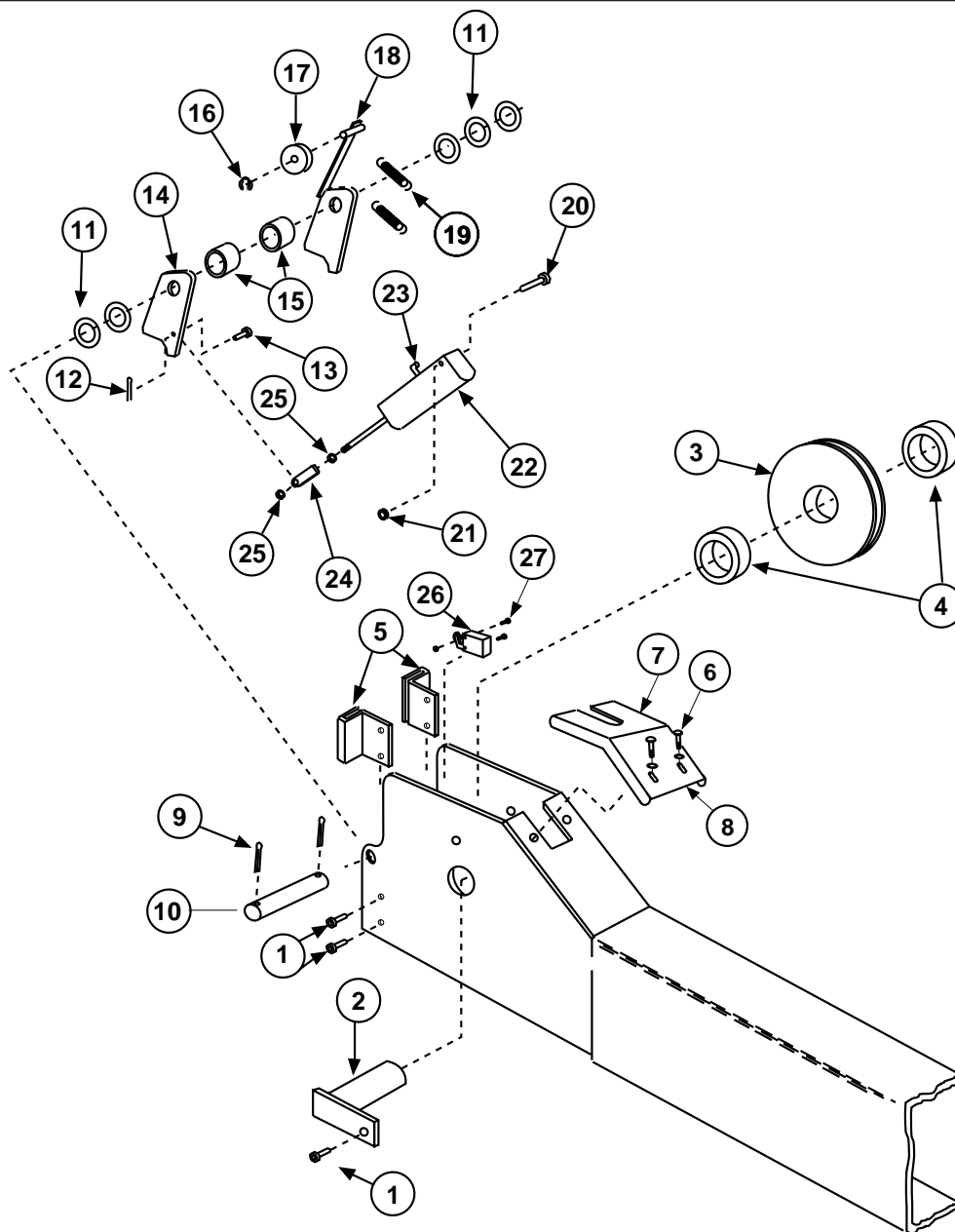
NOTE: For Replacement Parts - See Your Nearest Rotary Parts Distributor

Entire contents © 2000 by Rotary Lift. All rights reserved. REV. A

USE ONLY GENUINE ROTARY REPLACEMENT PARTS!

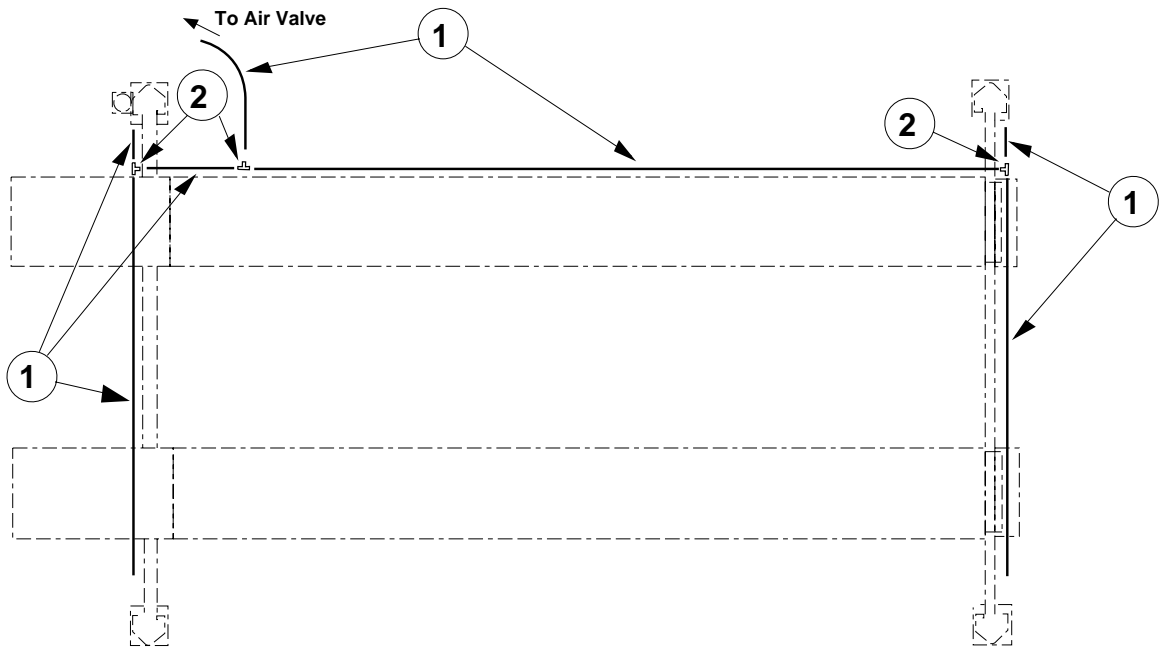


| SM80 PARTS | | | |
|------------|--|-------------|-------------|
| ITEM NO. | DESCRIPTION | PART NO. | |
| | | SM80-11 | SM80-1 |
| 1 | R.H. (Adjust.) Runway Weld | FC5817 | FC5817 |
| 2 | L.H. (Fixed) Runway Assembly (Includes cylinder, cables and sheaves) | S110005 | S110005 |
| 3 | 1/2"- 13NC x 1 5/8", Flg. Whiz Lock HHCS (High Strength) | 8 required | 8 required |
| 4 | Wheel Stop | FC5810-19 | FC5810-19 |
| 5 | Ramp Chock Assembly | FC5810-43 | FC5810-43 |
| 6 | 5/32" x 1" Lg. Cotter Pin | 41202 | 41202 |
| 7 | 5/8" Pushnut Fastener — TRW #PW625019 Or Equal | FC5179-4 | FC5179-4 |
| 8 | Hinge Pin | FC134-99 | FC134-99 |
| 9 | Ramp Chock | FC5810-45 | FC5810-45 |
| 10 | Ramp Chock Slide | FC134-33 | FC134-33 |
| 11 | #10-24 PNHDMS x 3/4" Lg. | 40030 | 40030 |
| 12 | #10-24 Hex Nut | 40630 | 40630 |
| 13 | 3/4"-10NC Hex Nut | 40760 | 40760 |
| 14 | Wheel Chock | FC337 | FC337 |
| 15 | Hydraulic Cylinder | FC5810-38 | FC5810-38 |
| 16 | Cable Pull Bar | FC5810-30BK | FC5810-30BK |
| 17 | 1/4"-20NC Bolt and Lock Nut | 4 req.'d. | 4 req.'d. |
| 18 | 5/8" Anchor Bolt | FC5228 | FC5228 |
| 19 | 1 1/2"-6NC Hex Nut | 40774 | 40774 |
| 20 | 1 1/2"-6NC Hex Jam Nut | 40830 | 40830 |
| 21 | Latch Bar | S120014 | S120014 |
| 22 | Front Yoke Ass'y (Including Latches) | S110003 | S110003 |
| 23 | Standard Column | S120022 | S120022 |
| 24 | Rear Yoke Ass'y (Including Latches) | S110004 | S110004 |
| 25 | Power Unit Column | S120023 | S120023 |
| 26 | 3 Phase Power Unit Kit | P1092 | P1092 |
| 27 | 1"-8NC Hex Nut | 40768 | 40768 |
| 28 | 1"-8NC Hex Jam Nut | 40767 | 40767 |
| 29 | Control Box | FA7136 | FA7136 |
| 30 | 3/4"-10NC Hex Jam Nut | 40759 | 40759 |
| 31 | Front Yoke Weld | S120018 | S120018 |
| 32 | Rear Yoke Weld | S120019 | S120019 |
| 33 | Retainer Bar | FC5810-47 | FC5810-47 |
| 34 | Glide | FC5160-12 | FC5160-12 |

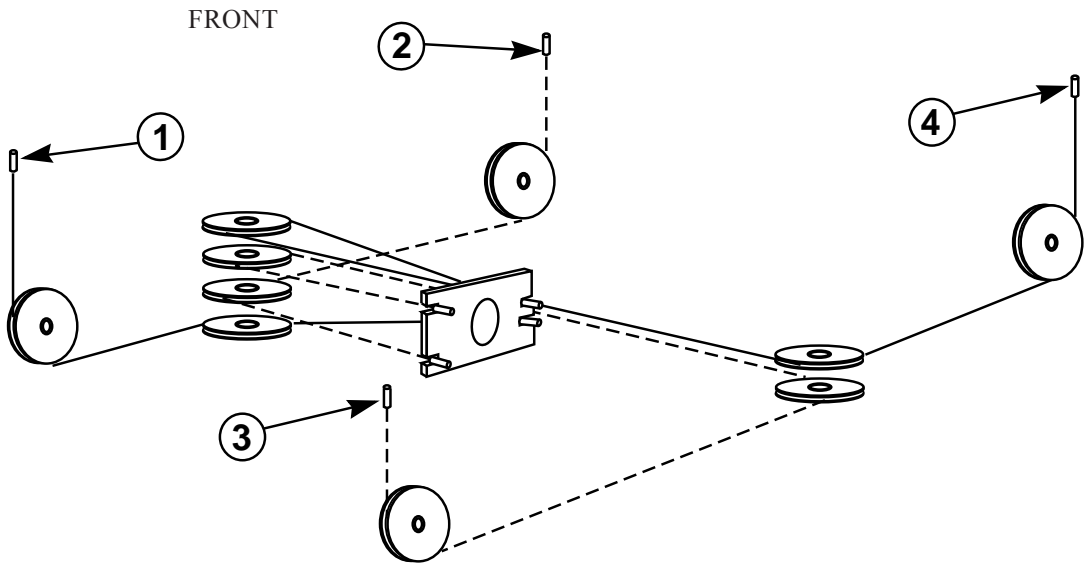


YOKE END DETAIL

| ITEM | DESCRIPTION | PART NO. | ITEM | DESCRIPTION | PART NO. |
|------|--|-----------|------|--|-----------|
| 1 | 5/16"-18NC Hex Head x 1/2" Lg. | 40225 | 14 | Latch | FC5812-29 |
| 2 | Sheave Pin Assembly | FC5224-21 | 15 | Spacer | FC5812-28 |
| 3 | Sheave | S130002 | 16 | 3/8" Snap Ring TRUARC #5304-37 | 41410 |
| 4 | Yoke Sheave Spacer | FC5927-10 | 17 | Slack Cable Roller | FC553-21 |
| 5 | Slider | FC5812-10 | 18 | Slack Cable Latch | S120005 |
| 6 | 1/4" 20NC HHTS x 1/2" Lg. | 40067 | 19 | Extension Spring | FC522-25 |
| 7 | Yoke End Guard | S120245 | 20 | 1/4"-20 HHCS X 1 1/2" Lg. | 40081 |
| 8 | 1/4" Plain Washer | 40780 | 21 | 1/4"-20 Hex Nut w/locking nylon insert | 40642 |
| 9 | Cotter Pin, 1/8" X 1 1/4" | 41201 | 22 | Air Cylinder | S110014 |
| 10 | Latch Shaft | FC5224-17 | 23 | Elbow | FC5224-39 |
| 11 | Washer | FC5301-98 | 24 | Clevis | FC5706-6 |
| 12 | 1/4" Hairpin Cotter Pin (.05" dia. wire) | 41901 | 25 | 1/4" -28NF Hex Nut | 40622 |
| 13 | Clevis Pin | FA2230-12 | 26 | Limit Switch | N411-1 |
| | | | 27 | Bolt And Nut | 2 req'd |

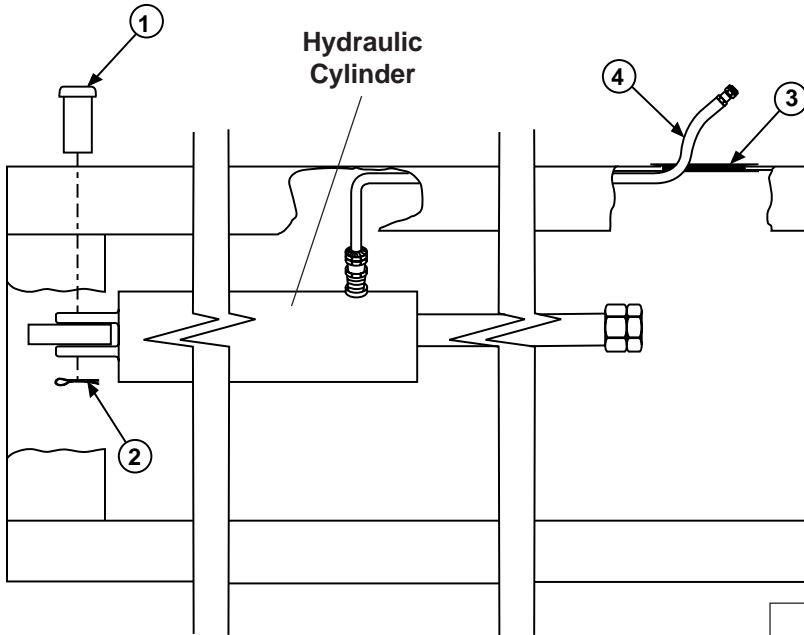
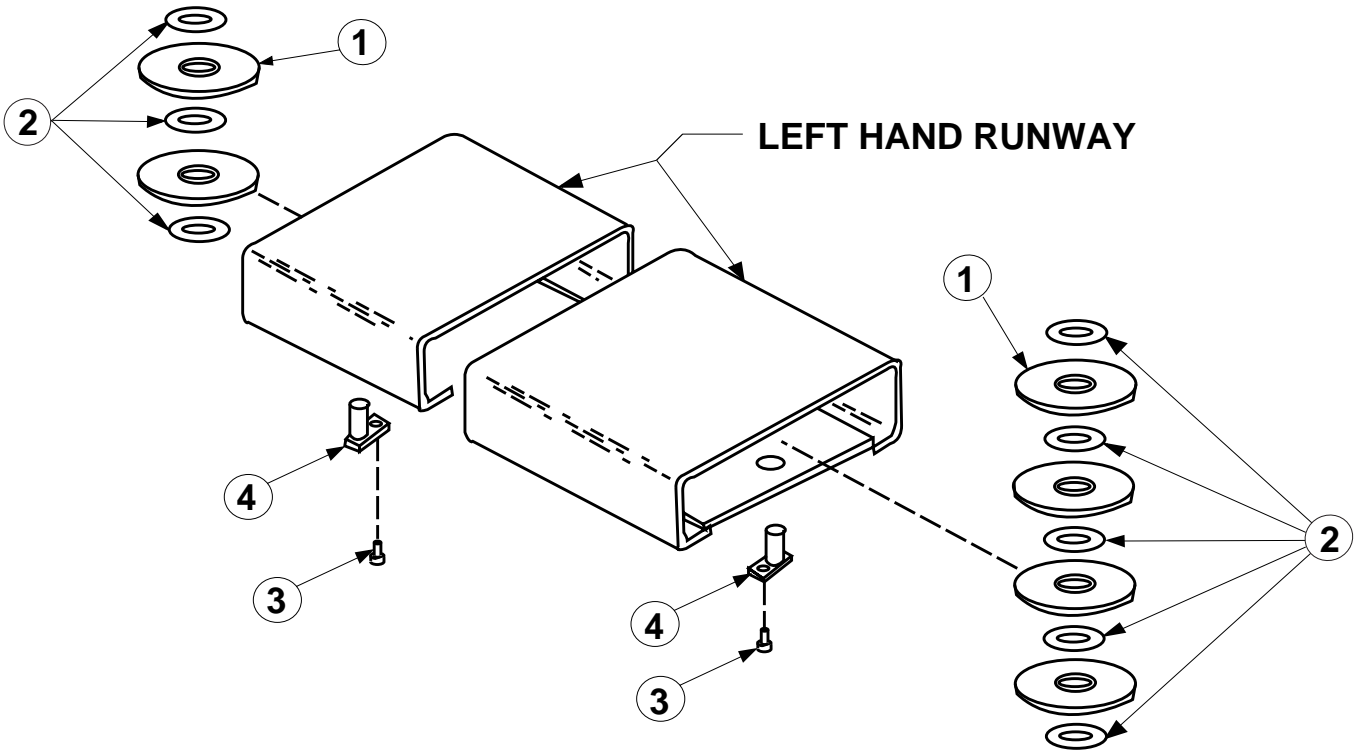


| AIRLINE DETAIL | | |
|----------------|---------------------------|-----------|
| ITEM NO. | DESCRIPTION | PART NO. |
| 1 | Airline Tubing (50' roll) | FA2230-2 |
| 2 | Union Tee | FC5225-46 |



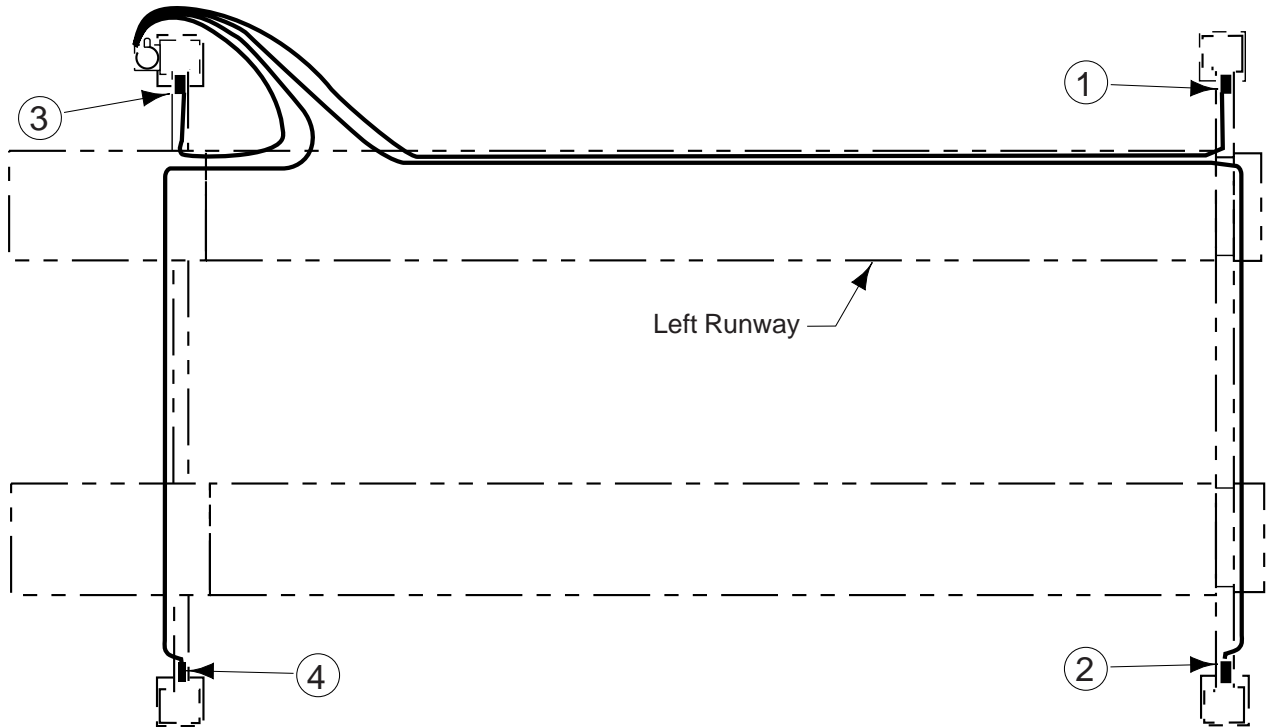
| CABLES | | | |
|----------|-------------------|----------|---------|
| ITEM NO. | DESCRIPTION | PART NO. | |
| | | SM80-1 | SM80-11 |
| 1 | Left Front Cable | S130005 | S130005 |
| 2 | Right Front Cable | S130006 | S130006 |
| 3 | Left Rear Cable | S130007 | S130055 |
| 4 | Right Rear Cable | S130008 | S130054 |

| SHEAVE DETAIL | | |
|---------------|------------------------------|-----------|
| ITEM NO. | DESCRIPTION | PART NO. |
| 1 | Sheave | S130002 |
| 2 | Bearing | FC5225-17 |
| 3 | 5/16"-18NC HSBHCS x 1/2" Lg. | 40225 |
| 4 | Runway Pin Assembly | FC5810-40 |



View Beneath Runway

| HYDRAULIC HOSE DETAIL | | | |
|-----------------------|-------------------------------|---------|------------|
| ITEM NO. | DESCRIPTION | | PART NO. |
| 1 | Cylinder Pin | | FC5810-17 |
| 2 | 3/16" x 1 3/4" Lg. Cotter Pin | | 1 required |
| 3 | Grommet | | S130015 |
| 4 | Hose | SM80-1 | FC5225-16 |
| | | SM80-11 | FC5426-4 |



| LIMIT SWITCH WIRING | | |
|---------------------|--------------------|-----------|
| ITEM NO. | DESCRIPTION | PART NO. |
| 1 | Left Front Switch | S130053 |
| 2 | Right Front Switch | FC5916-13 |
| 3 | Left Rear Switch | S130052 |
| 4 | Right Rear Switch | FC5888-13 |



World Leader in Lift Systems

World Headquarters:
ROTARY LIFT
A DOVER INDUSTRIES COMPANY
2700 Lanier Drive
Madison, IN 47250-1753 USA
Phone toll-free: 1-800-445-5438
1-(812) 273-1622
FAX toll-free: 1-800-822-6502
1-(812) 273-6502
E-mail: userlink@rotarylift.com
www.rotarylift.com

For Canada:
DOVER CORP. CANADA, LTD.
ROTARY LIFT DIVISION
130 Bridgeland Avenue, Unit 210
Toronto, Ontario
Canada M6A 1Z4
1-(416) 256-4100
Fax: 1-(416) 256-3924

For United Kingdom &
Republic of Ireland:
ROTARY LIFT (UK) LIMITED
Madison House
2 Park Road
Dartford, Kent
DA1 1SL
Phone: + 44 (0) 1322 223323
Fax: + 44 (0) 1322 222454

For Europe:
ROTARY LIFT EUROPE
Berliner Ring 163 B
D-64625 Bensheim
Phone: + 49 (0)
6251.787037
Fax: : + 49 (0)
6251.787038