



World Leader in Lift Systems

# Model: SPO12E

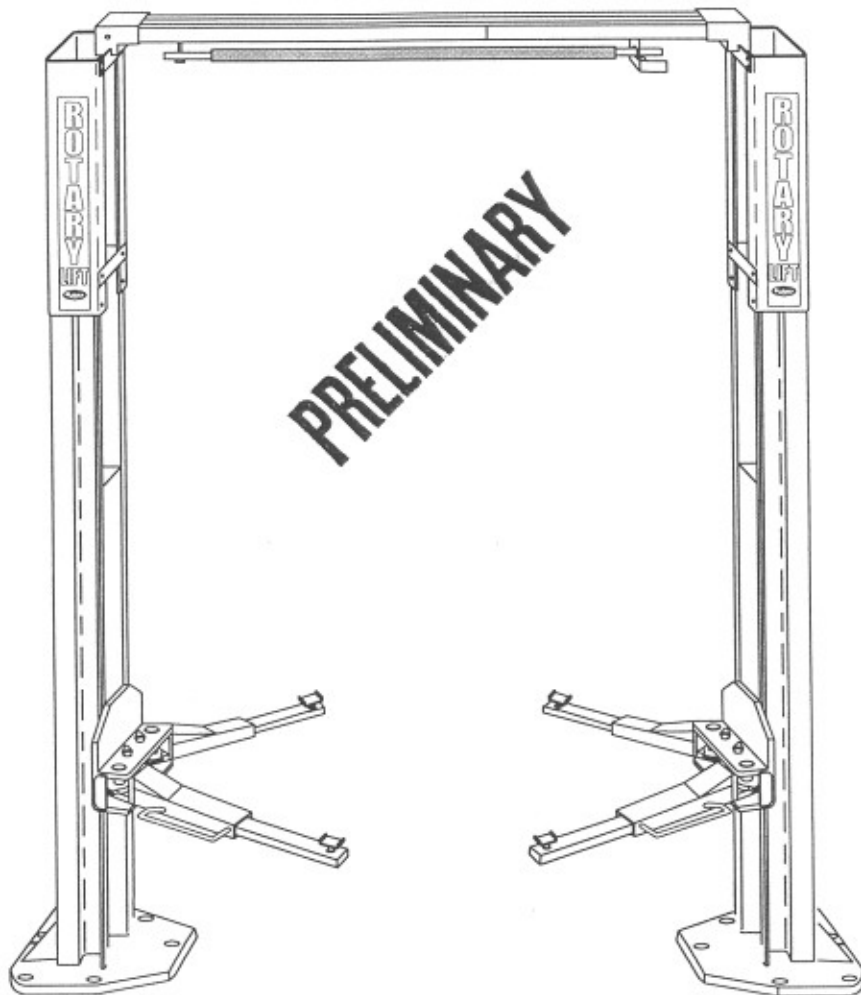
(For SPO12E-10 thru SPO12E-12 Series Lifts)

Two Post Surface Mounted Lift

PARTS BREAKDOWN



TÜV  
Rheinland



**IMPORTANT:** When ordering parts or requesting service always give exact model and power unit serial number. Model number is shown on nameplate attached to Power Unit column. Power unit serial number is located on side of power unit.

### OWNERS RECORD

Complete information at right and keep in a safe place.

Date Installed \_\_\_\_\_ / \_\_\_\_\_ / \_\_\_\_\_

Installed In Bay # \_\_\_\_\_

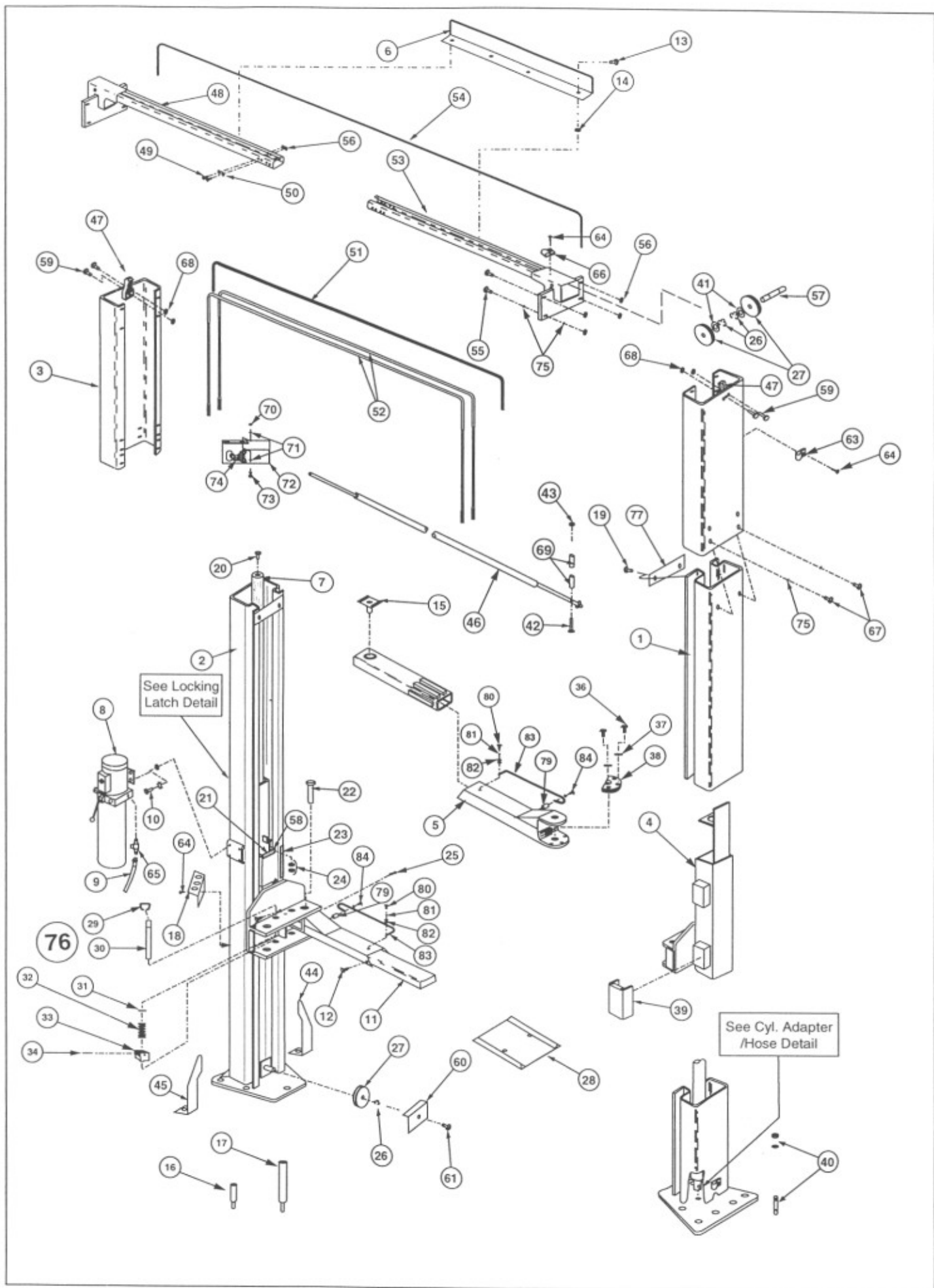
Pwr.Unit Serial # \_\_\_\_\_ Model # \_\_\_\_\_

Lift Serial # \_\_\_\_\_

Model No. \_\_\_\_\_

**NOTE:** For Replacement Parts - See Your Nearest Rotary Parts Distributor .

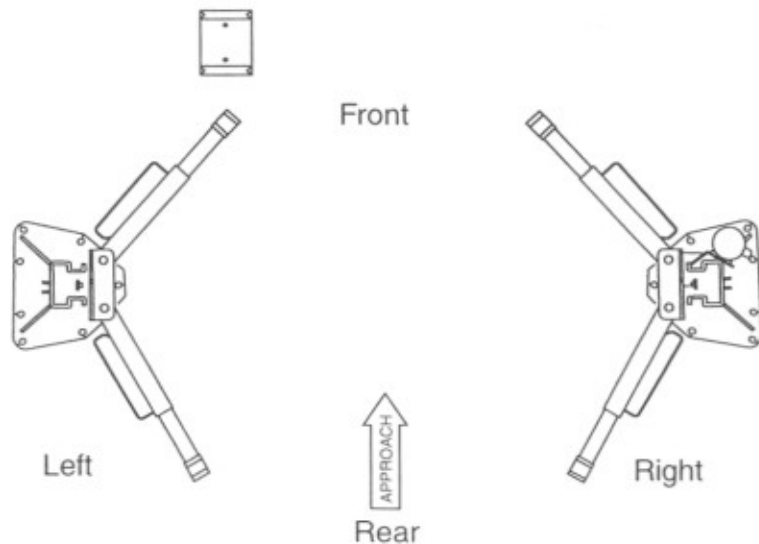
ROTARY LIFT



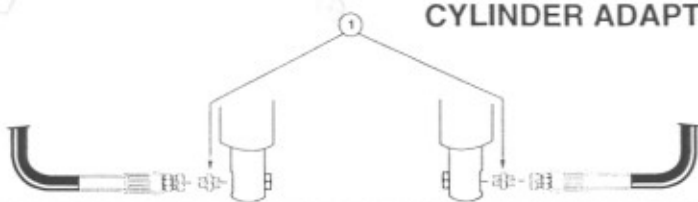
## SPO12E-10 thru SPO12E-12 Series PARTS LIST

1	L.H. Column Weldment	N724
2	R.H. Column Weldment	N725
3	Column Extension	
	Standard Height	N419
	EH-1 Model	N420
	EH-2 Model	N421
4	Carriage Yoke Weldment	N810
5	Outer Arm	N283-1
6	Stiffener Angle	N417-3
7	Hydraulic Cylinder	N310
8	Power Unit	P771-5
9	Power Unit Hose	N314
10	5/16"-18NCx1-1/2" Bolt,Ext ToothLW&Nut	40238
11	Inner Arm	N283-2
12	Stop Bolt	N219
13	3/8" - 16NC x 1" Flanged HHCS	4 REQ'D
14	3/8" - 16NC Flanged Locknut	4 REQ'D
15	Adapter	FJ6141
16	4" Adapter Extension	FJ6143
17	8" Adapter Extension	FJ6144
18	Adapter Rack	FJ6145
19	3/8" - 16NC X 3/4" Flanged HHCS	4 REQ'D
20	Bleeder Screw MF (specify manufacturer)	2 REQ'D
21	Carriage Bumper	FJ7391-2
22	Arm Pin	FJ7838
23	Approach Bumper (Door-18" Lg-2 Req'd)	FJ7391-1
24	5/8" — 11NC Hex Lock Nut	40703
25	3/16" x 2" Long Cotter Pin	41250
26	Truarc #5304-75 Klipping for 3/4" Shaft	41411
27	Sheave	N417-1
28	Wheel Spotting Dish Kit	FF729
29	Actuator Pin Handle	FJ7985-1
30	Actuator Pin	N121-1
31	Retaining Ring	N119-3
32	Arm Restraint Spring	FJ7656-2
33	120T Gear Block	FJ7749
34	Spring Pin,1/4" dia.x 1 1/2" Lg. (stainless)	14427
35	1/4"-20NC Zinc Hex Nut	40627
36	3/8"-16NC x 1 1/2" HHCS Grade 5	40200
37	3/8" Spring Washers	40818
38	Restraint Gear	FJ7750
39	Slider Block	FJ7360
40	3/4" Concrete Anchor (14 Req'd)	FJ7380
41	1 1/2" O.D. x .760-.770" I.D. x .045" Thick Mach. Bushing	41388
42	1/4"-20NC x 2-3/4" HHCS	40114
43	1/4" — 20NC Insert Lock Nut	41423
44	Toe Guard	N137-1
45	Toe Guard	N138-1
46	Switch Bar Assembly	FJ7613
47	Latch Cable Guide	N69
48	R.H. Overhead Weldment (Inner)	FJ7446-1
49	3/8" — 16NC x 3/4" Long HHCS	40134
50	3/8" Flat Washer	40820
51	Overhead Hose	
	Standard Height Model	N315
	EH-1 Model	N316
	EH-2 Model	N317
52	Equalizer Cable	
	Standard Height Model	N39
	EH-1 Model	N312
	EH-2 Model	N313
53	L.H. Overhead Weldment (Outer)	FJ7447-1
54	Locking Latch Cable	
	Standard Height Model	FJ7595-1
	EH-1 & EH-2 Models	FJ7600
55	3/8" — 16NC x 1"Flanged HHCS	40144
56	3/8" — 16NC Flanged Locknut	40664
57	Sheave Shaft	FJ7444-8
58	Finger Guard	FJ7391-5

59	1/4"-20NC x 1" HHCS Grade 5	40108
60	Sheave Cover	N119-1
61	1/4" - 20NC x 3/8" Lg. PHMS	40063
62	Number Not Used	N/A
63	Hose Clip (6 Req'd)-Columns	FJ7499
64	#12 Type B x 1/2" Lg. SI Hex Washer Head Screw (For Overhead & Col. Ext.)	40057
65	Branch Tee	FJ7668
66	Hose Clip, Column, (4 Req'd)-Overhead	FJ7206
67	3/8"-16NC x 3/4" Lg. Flanged HHCS	40122
68	1/4" - 20NC Flanged Locknut	40641
69	3/4" Spacer	FJ7871
70	1/4"-20NC Hex Nut	40627
71	1/4" External Tooth Lockwasher	40779
72	Limit Switch Assembly	N412
73	1/4"-20NC x 3/4" HHCS Grade 5	40104
74	Limit Switch	N411-1
75	3/8" External Tooth Lockwasher	40845
76	Arm Restraint Kit (1 Arm)	FJ7888
77	Tie Bar	N165-2
78	5/16" - 18NC x 3/8" Lg. PHMS (For Columns)	40227
79	Spacer	N283-7
80	5/16"-18NC x 3/4" Bolt	40224
81	5/16" Split Lockwasher	40850
82	5/16" Flat Washers Plated SAE STD.	40856
83	Arm Guard	
	Right Front	N283-6
	Left Front, Right Rear, Left Rear	N253-3
84	5/16"-18NC x 2-1/2" Bolt	40246

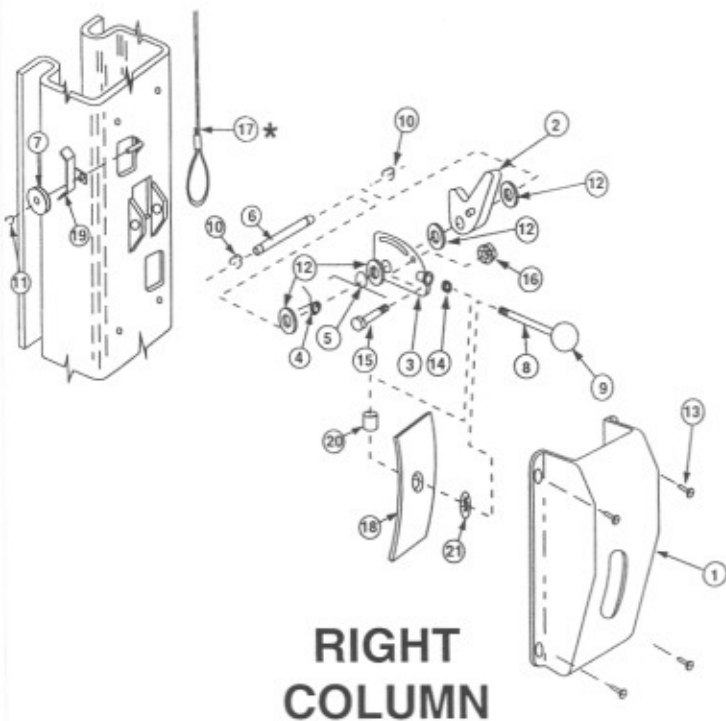


## CYLINDER ADAPTER / HOSE DETAIL



### CYLINDER ADAPTER/HOSE DETAIL PARTS LIST

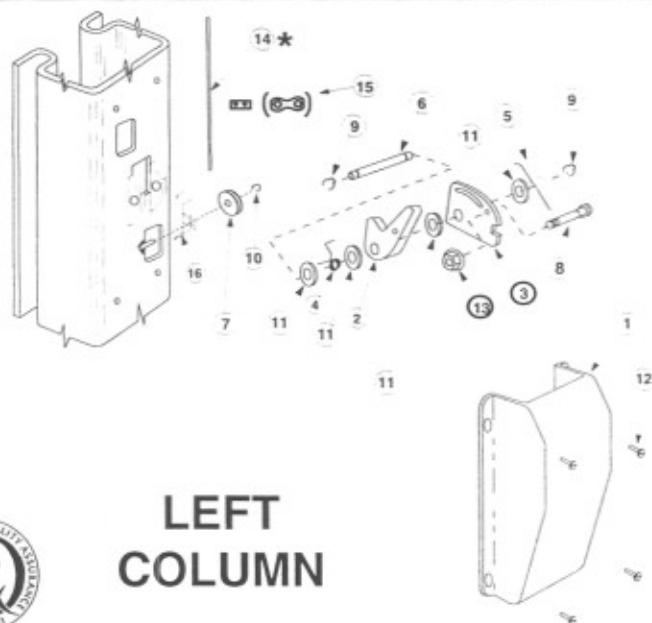
ITEM NO.	DESCRIPTION	PART NO.
1	Straight Adapter	FJ7352-3



## RIGHT COLUMN

### LOCKING LATCH DETAIL PARTS LIST

ITEM NO.	DESCRIPTION	PART NO.
1	Control Side Cover	FJ7452
2	Locking Latch Dog	N165-1
3	Control Plate	FJ7594-2
4	Spring	FJ7566-10
5	Spring	FJ7382-9
6	Latch Shaft	FJ7382-34
7	Locking Latch Sheave	FJ7322
8	Handle	FJ7382-18
9	Ball Handle	FC134-91
10	Truarc Klipring #5304-75 for 3/4" Shaft	41411
11	Truarc Klipring #5304-37 for 3/8" Shaft	41410
12	1 1/2" O.D. x 3/4" I.D. x .045" Mach. Bush.	41388
13	5/16"-18NC x 3/8" Lg. Button Head Cap Screw (Allen socket)	N/A
14	3/8" - 16NC Hex Jam Nut	40658
15	Shoulder Bolt, 5/16" x 1" - 1/4" 20 NC	40220
16	1/4"-20NC Locknut	41423
17	Latch Cable	FJ7595-1
18	Slot Cover	N62
19	Latch Sheave Cover	N64
20	1/2" Lg. x 3/16" O.D. Spacer	N62-1
21	Push nut	N62-2



## LEFT COLUMN

### LOCKING LATCH DETAIL PARTS LIST

ITEM NO.	DESCRIPTION	PART NO.
1	Latch Cover	FJ7451
2	Locking Latch Dog	N165-1
3	Control Plate	FJ7382-5
4	Spring	FJ7566-10
5	Spring	FJ7382-9
6	Latch Shaft	FJ7382-34
7	Locking Latch Sheave	FJ7322
8	Shoulder Bolt 5/16" x 1" - 1/4" 20NC	40220
9	Truarc Klipring #5304-75 for 3/4" Shaft	41411
10	Truarc Klipring #5304-37 for 3/8" Shaft	41410
11	1 1/2" O.D. x 3/4" I.D. x .045" Mach. Bush.	41388
12	5/16"-18NC x 3/8" Lg. Button Head Cap Screw (Allen socket)	N/A
13	1/4"-20NC Locknut	41423
14	Latch Cable	FJ7595-1
15	Cable Clamp	N63-1
16	Sheave Cover	N64



World Headquarters:  
**ROTARY LIFT**  
 A DOVER INDUSTRIES COMPANY  
 2700 Lanier Drive  
 Madison, IN 47250-1753 USA  
 Phone toll-free: 1-800-445-5438  
 Phone: (812)273-1622  
 Fax toll-free: 1-800-822-6502  
 Fax: (812)273-6502  
 E-mail: [userlink@rotarylif.com](mailto:userlink@rotarylif.com)  
 Web site: [www.rotary-lift.com](http://www.rotary-lift.com)

For Canada:  
**DOVER CORP. CANADA, LTD.**  
 ROTARY LIFT DIVISION  
 130 Bridgeland Avenue Unit 210  
 Toronto, Ontario M6A 1Z4  
 Phone: (416)256-4100  
 Fax: (416)256-3924

For United Kingdom & Republic of Ireland:  
**ROTARY LIFT (UK) LIMITED**  
 Madison House  
 2 Park Road  
 Dartford, Kent DA1 1SL  
 Phone: +44 (0) 1322 223323  
 Fax: +44 (0) 1322 222454

For Europe:  
**ROTARY LIFT EUROPE**  
 Berlinger Ring 163 B  
 D-64625 Bensheim  
 Phone: +49 (0) 6251 787037  
 Fax: +49 (0) 6251 787038

**PB2-60-11**

7/08/98

**Rotary**  
 World Leader in Lift Systems