



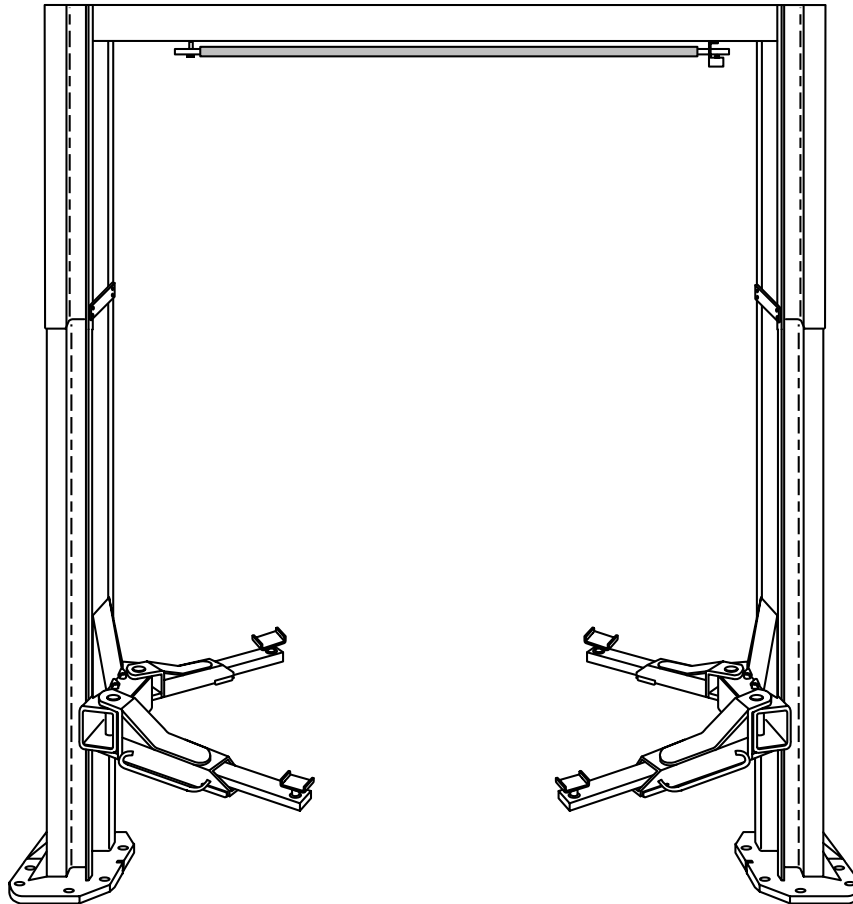
World Leader in Lift Systems

# SPO15E-5

Two Post Surface Mounted Frame Engaging Lift  
Capacity 6800Kg (1700 Kg per arm)



TÜV  
Rheinland



P  
A  
R  
T  
S  
  
B  
R  
E  
A  
K  
D  
O  
W  
N

**IMPORTANT:** When ordering parts or requesting service always give exact model and power unit serial number. Model number is shown on nameplate attached to power unit column. Power unit serial number is located on side of power unit.

**OWNERS RECORD**  
Complete information  
at right and keep in  
a safe place.

Date Installed \_\_\_\_\_

Installed in Bay # \_\_\_\_\_

Power Unit Serial # \_\_\_\_\_

Power Unit Model # \_\_\_\_\_

Lift Serial # \_\_\_\_\_

Lift Model # \_\_\_\_\_

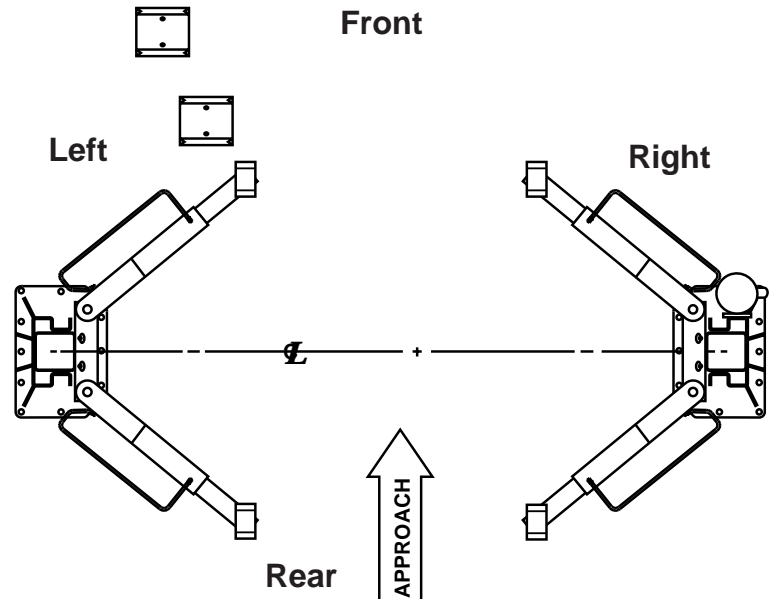
**NOTE:** For replacement parts -See your nearest Rotary Parts Distributor.

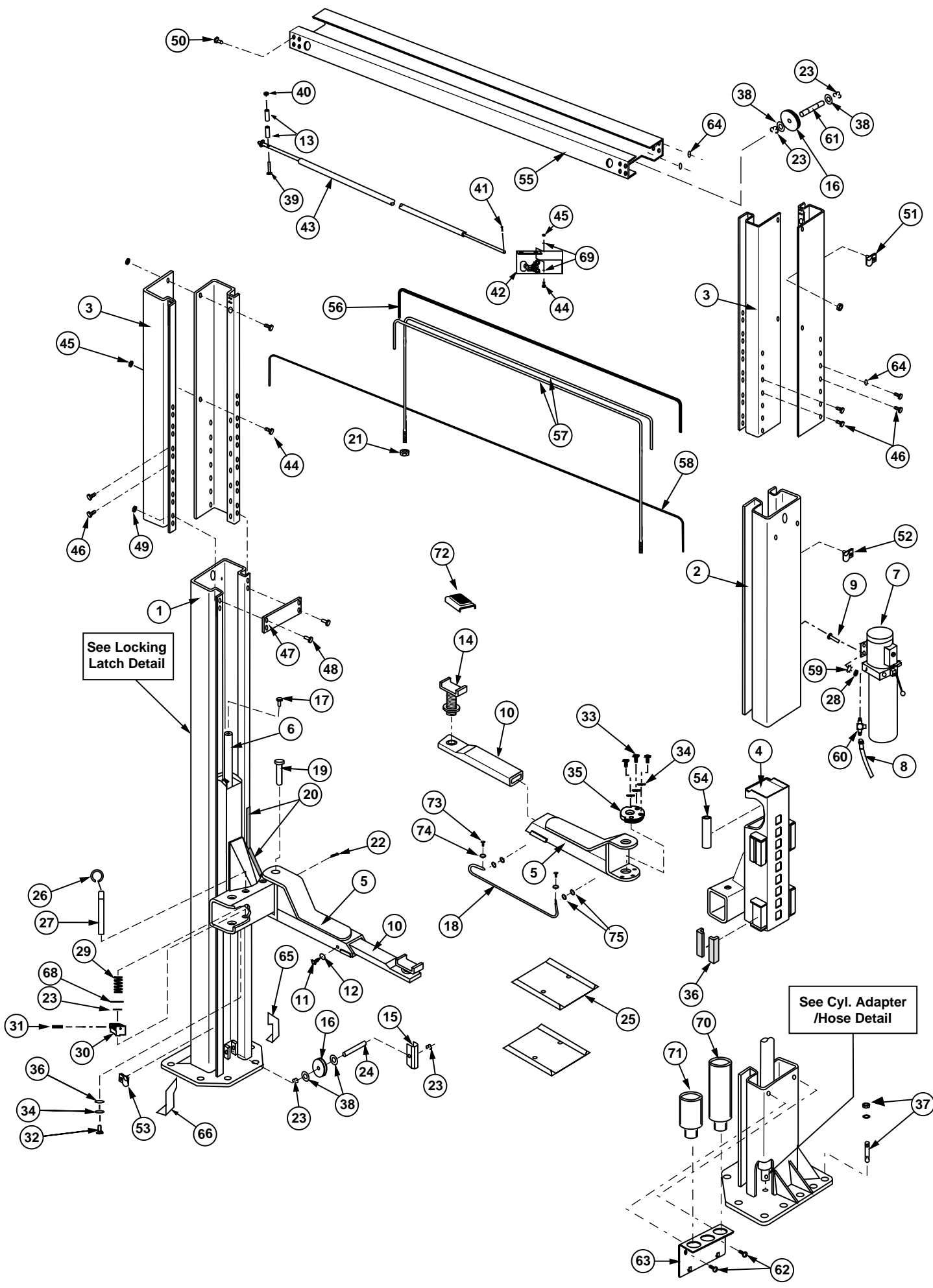
**PB 2-60-6-2**

Rev. -- 08/16/01

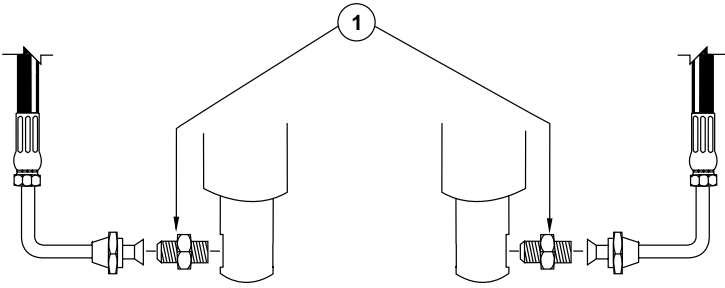
1	L.H. Column Weldment	FJ7815
2	R.H. Column Weldment	N730
3	Column Extension	
	Left Side	FJ7817
	Right Side	FJ7818
4	Carriage Yoke Weldment	FJ7821
5	Outer Arm	
	Right Front/Left Rear	N254-1
	Left Front/Right Rear	N253-1
6	Hydraulic Cylinder	FJ7604
7	Power Unit	P1072-2
8	Power Unit Hose	FJ7828
9	5/16"-18NC x 1-1/2" HHCS	40238
10	Inner Arm	N253-2
11	3/8"-16NC x 5/8" Lg. HHCS Grade 8	40155
12	3/8" Internal Tooth Lock Washer Plated	40843
13	3/4" Switch Bar Mounting Spacer (2 req'd)	FJ7871
14	Adjustable Adapter	FJ7822-1
15	Lower Sheave Guard	FJ7813-8
16	Sheave	FJ7823-3
17	Bleeder Screw (Specify Manufacturer)	N/A
18	Arm Guard	N253-3
19	Arm Pin	FJ7832
20	Approach Bumper (Foam 18" lg. 4 req'd)	FJ7391-3
21	3/4-10NC Nylon Insert Hex Lock Nut	40790
22	3/16 x 2-1/4" lg. Cotter Pin	-
23	Truarc #5304-100 Klipring for 1" shaft	41412
24	Lower Sheave Shaft	FJ7813-3
25	Wheel Spotting Dish Kit	FF729
26	Actuator Pin Handle	FJ7985-1
27	Actuator Pin	N167-2
28	5/16-18NC Hex Nut	40670
29	Actuator Pin Spring	FJ7813-10
30	120T Gear Block	FJ7749
31	Spring Pin 1/4 x 1-1/2" lg. stainless	14427
32	3/8-16NC x 3/4" lg. HHCS Plated	40130
33	3/8"-16NC x 1-1/2" HHCS Grade 5	40201
34	3/8" Helical Spring Lockwasher	40818
35	Restraint Gear	FJ7831
36	Slider	FJ7813-1
37	3/4" Concrete Anchor	FJ7380
38	UHMWPE Washer	FJ7823-4
39	1/4-20NC x 2-3/4" HHCS	40114
40	1/4-20NC Insert Locknut	40642
41	1/8 x 1" lg. Cotter Pin	41200
42	Limit Switch Assembly	N412
	Contains Limit Switch	N411-1
	Bracket	N411-2
	Strain Relief	N412-1
43	Switch Bar Assembly	FJ7825
44	1/4-20NC x 3/4"lg. HHCS Grade 5	40099
45	1/4-20NC Zinc Hex Nut	40625
46	3/8-16NC x 3/8"lg. Flanged HHCS	-
47	Tie Bar	FJ7824
48	3/8-16NC x 1" lg. Flanged HHCS	40144
49	3/8-16NC Flanged Lock Nut	-
50	3/8-16NC x 3/4" lg. Flanged HHCS	40124
51	Pipe Clip (5/8" Clamping Diameter)	FJ7499
	5/16-18NC x 1/2" lg. PHMS	40228
	5/16-18NC Hex Nut	40670
52	Pipe Clip (5/8" Clamping Diameter)	FJ7499
	5/16-18NC x 3/8" lg. PHMS	40227
53	Pipe Clip (1/2" Clamping Diameter)	FJ7669
	5/16-18NC x 3/8" lg. PHMS	40227
54	Equalizer Cable Spacer	FJ7833
55	Overhead Weldment	FJ7823-10
56	Overhead Hose	FJ7829
57	Equalizer Cable Assembly	FJ7827-1
58	Locking Latch Air Line 1/4" O.D.	FA2230-2

59	5/16" External Tooth Lockwasher	40854
60	Branch Tee	FJ7668
61	Upper Sheave Shaft	FJ7813-7
62	5/16-18NC x 3/8" LG. PHMS	40227
63	Adapter Rack (1 Qty. Each Column)	FJ7822-3
64	3/8" External Tooth Lockwasher	40845
65	Right Toe Guard	N160-1
66	Left Toe Guard	N159-1
67	5/16" USS Flat Washer-Black Oxide	40855
68	Wide Rim Machinery Bushing	FF40-4
69	1/4" External Tooth Lockwasher	40779
70	10" Height Adapters (2 Qty. Per Lift)	FJ7822-5
71	5" Height Adapters (4 Qty. Per Lift)	FJ7822-4
72	Rubber Pad Adapters (4 Qty. Per Lift)	FJ7822-2
73	5/16-18NC x 3/4" lg. HHCS Plated	40232
74	5/16" Spring Lock Washers Plated	40850
75	5/16" Flatwasher SAE Std. Plated	40856

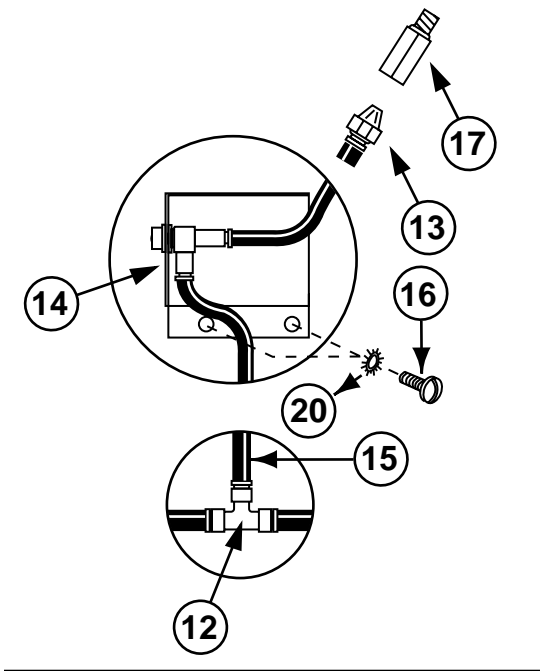




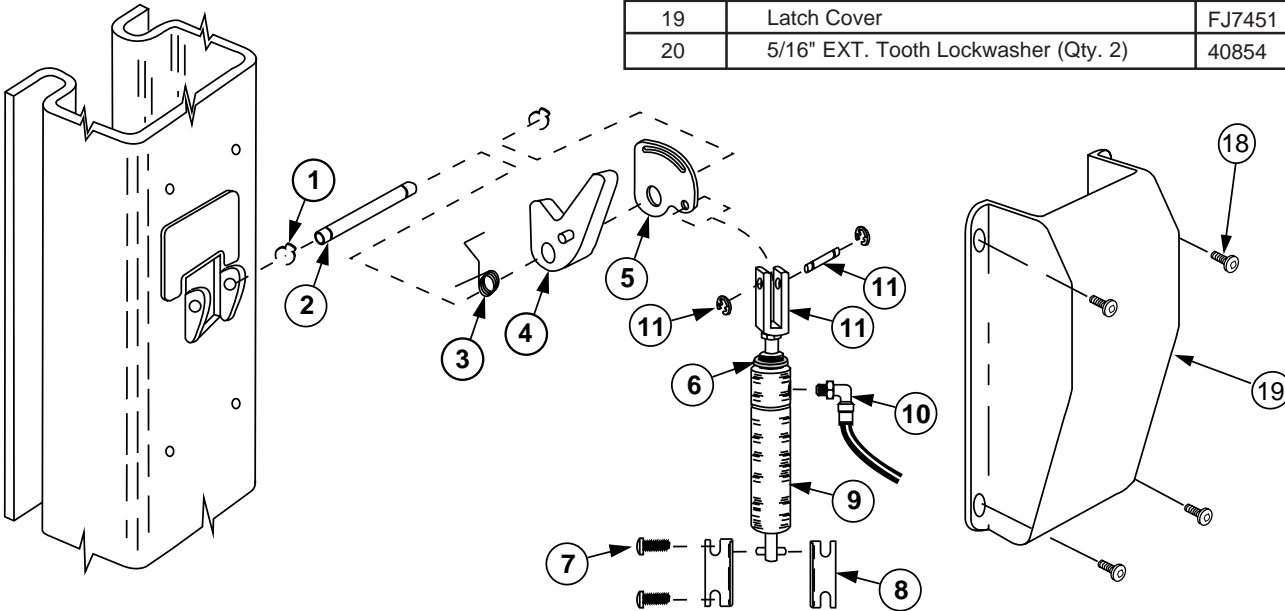
## CYLINDER ADAPTER / HOSE DETAIL



CYLINDER ADAPTER/HOSE DETAIL PARTS LIST		
ITEM NO.	DESCRIPTION	PART NO.
1	Straight Adapter	FJ7352-3



LOCKING LATCH DETAIL PARTS LIST		
ITEM NO.	DESCRIPTION	PART NO.
1	Truarc Klipping#5304-125 for 1 1/4" shaft	41417
2	Latch Shaft	FJ7813-7
3	Latch Spring	FJ7813-5
4	Locking Latch Dog Assy.	FJ7813-14
5	Latch Control Plate	FJ7813-6
6	Dampening Spacer	FJ7813-13
7	1/4"-20NC x 3/8" Lg.PHMS.	40063
8	Bimba Pivot Brackets #D-167 (pair)	11265
9	Air Cylinder	N61
10	Swivel elbow 1/4"O.D. tube to 1/8" NPT	FA3134-6
11	Bimba Piston Rod Clevis #D-166-1 (set)	11263
12	Union Tee	FC5225-46
13	1/4" Male Connector	FC5191-6
14	Switch Bracket & Switch (set)	N67
15	1/4" O.D. Air line	FA2230-2
16	5/16"-18NC x 3/8" lg. PHMS (Qty. 2)	40227
17	Filter	FA3134-12
18	5/16"-18NC x 3/8" lg. Button Head Cap Screw	-
19	Latch Cover	FJ7451
20	5/16" EXT. Tooth Lockwasher (Qty. 2)	40854



World Headquarters  
**Rotary Lift**  
 A Dover Industries Company  
 2700 Lanier Drive  
 Madison, IN 47250-1753 USA  
 Phone toll-free: 800.445.5438  
 Phone: 812.273.1622  
 Fax toll-free: 800.822.6502  
 Fax: 812.273.6502  
 Email: userlink@rotarylif.com  
 Web site: www.rotarylif.com

Canada  
 (Regional Sales Office)  
**Dover Corp. (Canada) LTD.**  
**Rotary Lift Division**  
 130 Bridgeland Avenue Unit 210  
 Toronto, Ontario  
 Canada M6A 1Z4  
 Phone: 416.256.4100  
 Fax: 416.256.3924  
 Email: canlink@rotarylifca.com

United Kingdom  
 (Regional Sales Office)  
**Rotary Lift (UK) LTD.**  
 3, Fourth Avenue  
 Bluebridge Industrial Estate  
 Halstead, Essex CO9 2SY  
 United Kingdom  
 Phone: +44.178.747.7711  
 Fax: +44.178.747.7720  
 Email: sales@rotarylif.idps.co.uk

Austral-Asia  
 (Regional Sales Office)  
**Rotary Lift Austral/Asia**  
 3A03, Block A, Phileo Damansara 1  
 9, Jalan 16/11, Off Jalan Damansara  
 46350 Petaling Jaya  
 Selangor Darul Ehsan, Malaysia  
 Phone: +60.3.7660.0285  
 Fax: +60.3.7660.0289  
 Email: rlim@rotarylif.com

Germany  
 (European Sales Headquarters)  
**Rotary Lift Germany GmbH**  
 Lilienthalstr. 26  
 64625 Bensheim  
 Germany  
 Phone: +49.6251.582.640  
 Fax: +49.6251.582.6422  
 Email: sales@rotarylif.de

Italy  
 (European Manufacturing Headquarters)  
**Rotary Lift Europe S.r.l.**  
 Via Tiburtina, Km 209 & 800  
 65025 Manoppello Scalo  
 Italy  
 Phone: +39.085.856.9058  
 Fax: +39.085.856.9059  
 Email: rotary.europe@rotaryeurope.com

