



World Leader in Lift Systems

# SPOA7E/SPOA9E/SPO9E



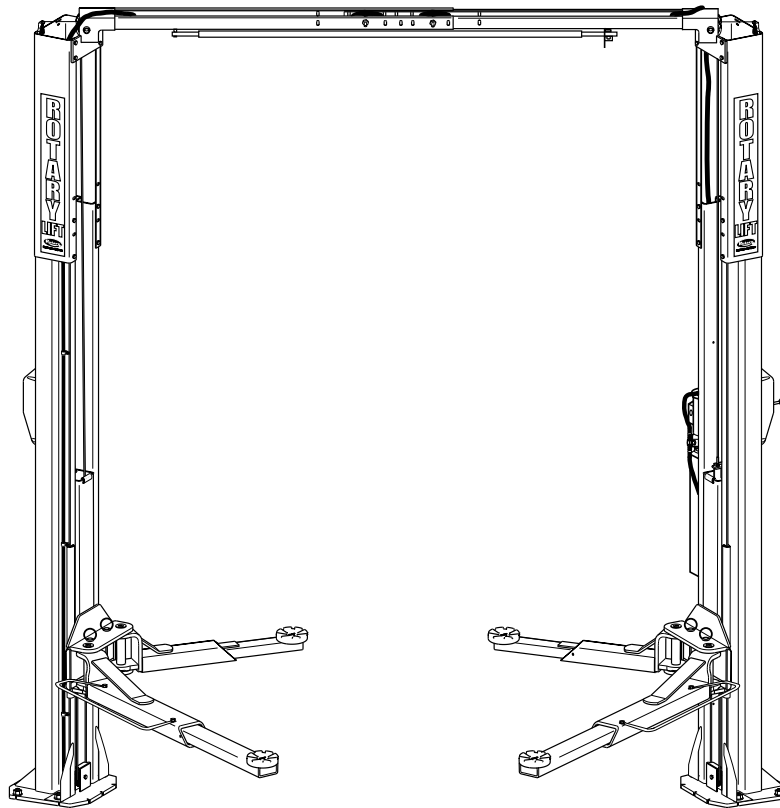
Rheinland



SPOA7E Capacity: 3,100kg (775 kg per arm)

SPOA9E Capacity: 4,000kg (1,000kg per arm)

SPO9E Capacity: 4,000kg (1,000kg per arm)



PARTS BREAKDOWN

**IMPORTANT:** When ordering parts or requesting service always give exact model and power unit serial number. Model number is shown on nameplate attached to power unit column. Power unit serial number is located on side of power unit.

**OWNERS RECORD**  
Complete information at right and keep in a safe place.

Date Installed \_\_\_\_\_

Installed in Bay # \_\_\_\_\_

Power Unit Serial # \_\_\_\_\_

Power Unit Model # \_\_\_\_\_

Lift Serial # \_\_\_\_\_

Lift Model # \_\_\_\_\_

**NOTE:** For replacement parts -See your nearest Rotary Parts Distributor.

**PB 2-60-5-2**  
Rev. -- 10/07/01

1	L.H. Column Weldment	N719
2	R.H. Column Weldment	N729
3	Column Extension	
	SPOA7E & SPO9E	N45
	SPOA9E	N410
	EH-1 MODEL	N46
	EH-2 MODEL	N47
	EH-4 MODEL SPO9E	N49
4	Carriage Yoke Weldment	N89
5	Arm Pin	FJ7838
6	3/16" x 2" Long Cotter Pin	41250
7	Hydraulic Cylinder	N342
8	Power Unit	
	SPOA7E SINGLE PHASE	P1073-7
	SPO9E/SPOA9E SINGLE PHASE	P1073-6
	SPOA7E THREE PHASE	P1071-7
	SPO9E/SPOA9E THREE PHASE	P1071-6
9	Power Unit Hose	FJ837
10	5/16"-18NC x 1-1/2" HHCS	40238
11	5/16" External Tooth Lockwasher	40854
12	5/16"-18NC Hex Nut	40670
13	Actuator Pin Handle	FJ7985-1
14	Actuator Pin	N121-1
15	Retaining Ring	N119-3
16	Arm Restraint Spring	FJ7656-2
17	5/16"-18NC x 3/4" Bolt	40252
18	Carriage Bumper (152mm Lg.)	FJ7391-2
19	120T Gear Block	FJ7749
20	Approach bumper (457mm Lg.)	FJ7391-1
21	1/2"-13NC Hex Nylon Insert Lock Nut	40703
22	Truarc #5304-75 Klipring for 3/4" Shaft	41411
23	Sheave	FJ7116-1
24	1/4"-20NC Hex Nut	40627
25	Sheave Cover	N119-1
26	1/4"-20NC x 3/8" Lg. PHMS Plated (2 pcs.)	40063
27	Slider block	FJ7360
28	20mm Concrete Anchor (10 req'd)	W140210
29	1-1/2" O.D. x .760-.770" I.D. x .045" Thick Mach. Bushing	41388
30	1/4"-20NC x 2-3/4" Hex Head Bolt	40114
31	1/4"-20NC Locknut	41423
32	1/8" x 1" Lg. Cotter Pin	41200
33	Switch Bar Assembly	FJ7613-2
34	Spotting Wheel Dish Kit	FF729
35	Restraint Gear	FJ7750
36	3/8"-16 NC x 3/4" Long Flanged HHCS	40134
37*	Arm Restraint Kit (1 arm)	*FJ7888
38	Overhead Hose	
	SPOA7E	FJ838
	SPOA7E EH-1 MODEL	FJ840
	SPOA7E EH-2 MODEL	FJ841
	SPOA9E/SPO9E	FJ839
	SPOA9E/SPO9E EH-1 MODEL	FJ842
	SPOA9E/SPO9E EH-2 MODEL	FJ843
	SPO9E EH-4 MODEL	FJ845
39	Equalizer Cables	
	SPOA7E	FJ7449
	SPOA7E EH-1 MODEL	FJ7545
	SPOA7E EH-2 MODEL	FJ7546
	SPOA9E	N33
	SPOA9E EH-1 MODEL	N34
	SPOA9E EH-2 MODEL	N35
	SPO9E	FJ7450
	SPO9E EH-1 MODEL	FJ7547
	SPO9E EH-2 MODEL	FJ7528
	SPO9E EH-4 MODEL	FJ7601
40	Carriage Bumper (38mm Lg.)	FJ7391-5
41	Locking Latch Cable	FJ7594-1
	EH-1 & EH-2	FJ7595-1
	EH-4 for SPO9E	FJ7600
42	3/8"-16NC x 1" Flanged HHCS	40144

43	3/8"-16NC Flanged Locknut	40664
44	Sheave Shaft	FJ7444-8
45	1/4"-20NC x 3/4" HHCS Grade 5	40104
46	Upper Latch Cable Guide	N69
47	Pipe Clip (4 req'd-Overhead)	FJ7206
48	#12 Type B x 1/2" Lg. Slotted Hex Washer Head Screw Zinc Plated (4 req'd)	40057
49	5/16-18NC x 3/8" Slotted PHMS (For Columns)	40227
50	Tee	FJ7668
51	Pipe Clip (6 req'd-Column)	FJ7499
52	3/8"-16NC x 1/2" Flanged HHCS	40122
53	1/4"-20NC Flanged Locknut	40641
54	19mm Spacer (2 req'd)	FJ7871
55	Limit Switch Assembly	N412
56	1/4" External Tooth Lockwasher	40779
57	3/8" External Tooth Lockwasher	40845
58	Spring Pin-1/4" dia. x 1/2" Lg. (Stainless)	14427
59	1/4"-20NC x 1" HHCS Grade 5	40108
60	3/8"-16NC x 1-1/2" HHCS Grade 5 Plated	40200
61	3/8" Medium Spring Lockwasher	40818
62	5/16" Split Lockwasher	40850
63	3/8" Internal Tooth Washer	40843
64	3/8"-16NC x 5/8" Lg. HHCS Grade 8 Plated	40155
65	5/16" Flat Washer Plated SAE STD	40856
66	Left Toe Guard	N137-1
67	Right Toe Guard	N138-1
68	Limit Switch	N411-1
69	Front Outer Arm Weldment	
	SPOA7E	N243-1
	SPOA9E	N245-1
	SPO9E	N247-1
70	Rear Outer Arm Weldment	
	SPOA7E	N244-1
	SPOA9E	N246-1
	SPO9E	N247-1
71	Front Inner Arm Weldment	
	SPOA7E	N243-2
	SPOA9E	N245-2
	SPO9E	N247-2
72	Rear Inner Arm Weldment	
	SPOA7E	N244-2
	SPOA9E	N246-2
	SPO9E	N247-2
73	Push Nut	40747
74	L.H. Overhead Weldment	
	SPOA7E & SPOA9E	N41-1
	SPO9E(Outer)	N43-1
75	R.H. Overhead Weldment	
	SPOA7E & SPOA9E	N42-1
	SPO9E(Inner)	N44-1
76	Arm Guard	
	Front SPOA7E & SPOA9E	N/A
	Left Front SPO9E	N244-4
	Right Front SPO9E	N247-4
	Rear SPOA7E & SPO9E	N244-4
	Rear SPOA9E	N246-4
77	Bleeder Screw	N/A
78	Adapter Assembly	
	All but SPOA9E Rear	W110029
	SPOA9E Rear	W110032
79	Adapter Plate	FA7132-2
80	5mm-.80 x 8mm lg. Flat Head MS	FA7152-1
81	Control Panel	FA7135
82	#8-32NCx1/2" lg. Pan Head Tapping Screw	FA7152-2

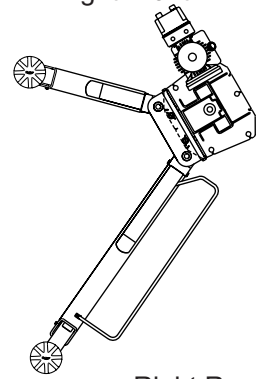
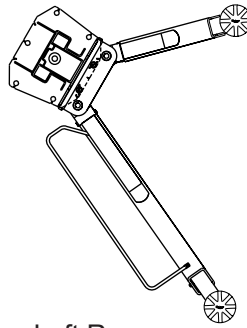
# SPOA7E/SPOA9E/SPO9E PARTS LIST

Wheel Spotting Dish



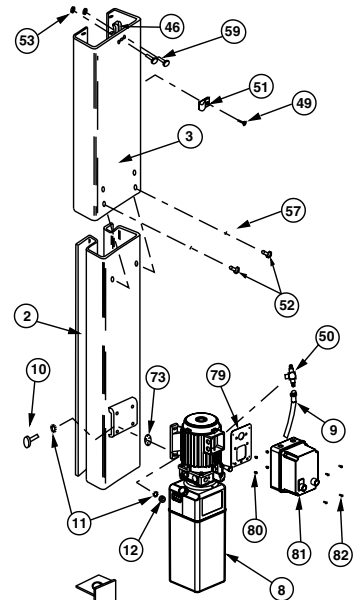
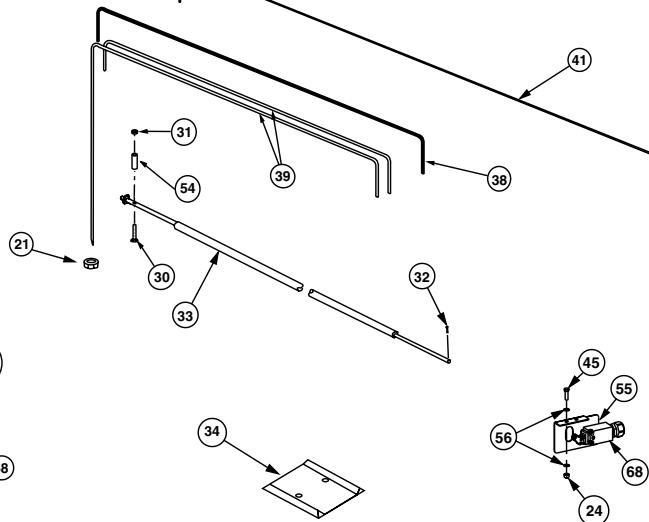
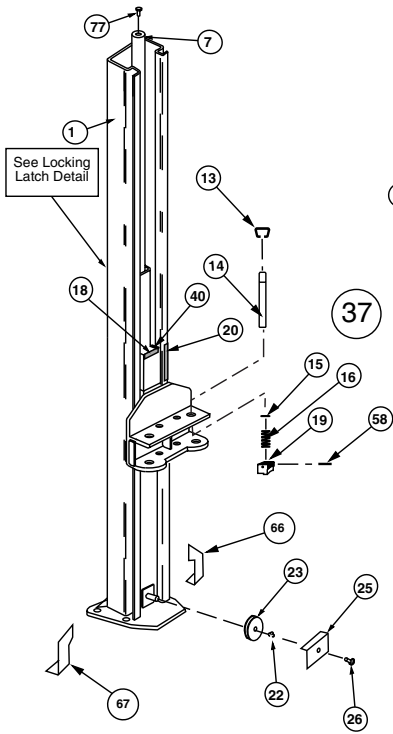
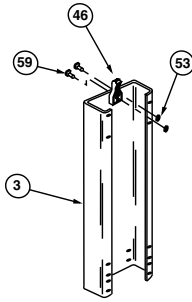
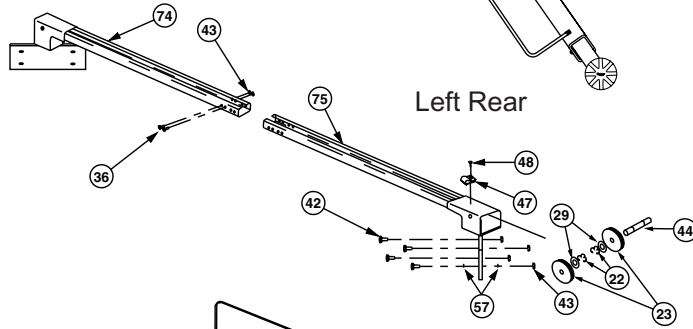
Left Front

Right Front



Left Rear

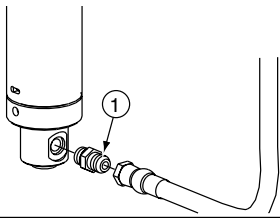
Right Rear



See Cyl. Adapter /Hose Detail

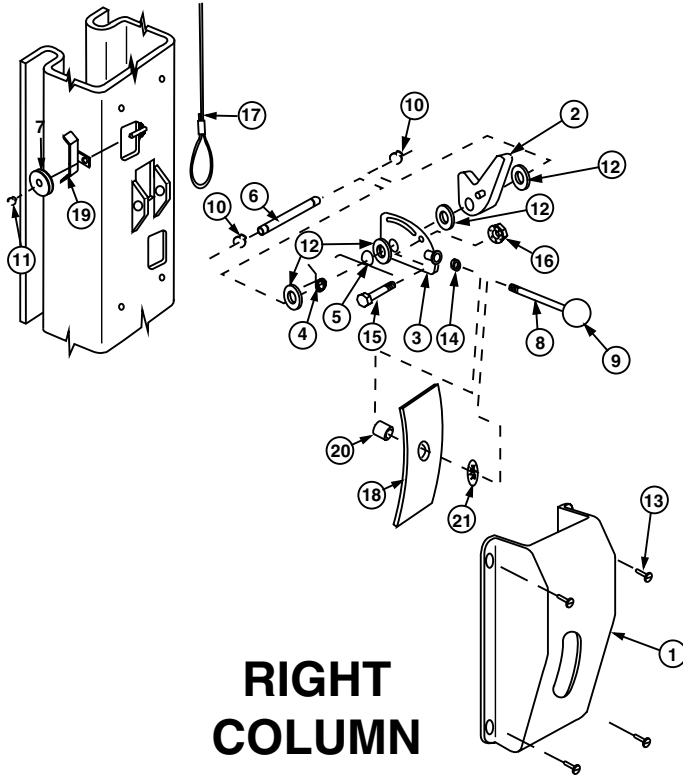
\*Includes items 13, 14, 15, 16, 19, 35, 58, 60, 61

## CYLINDER ADAPTER / HOSE DETAIL



### CYLINDER ADAPTER/HOSE DETAIL PARTS LIST

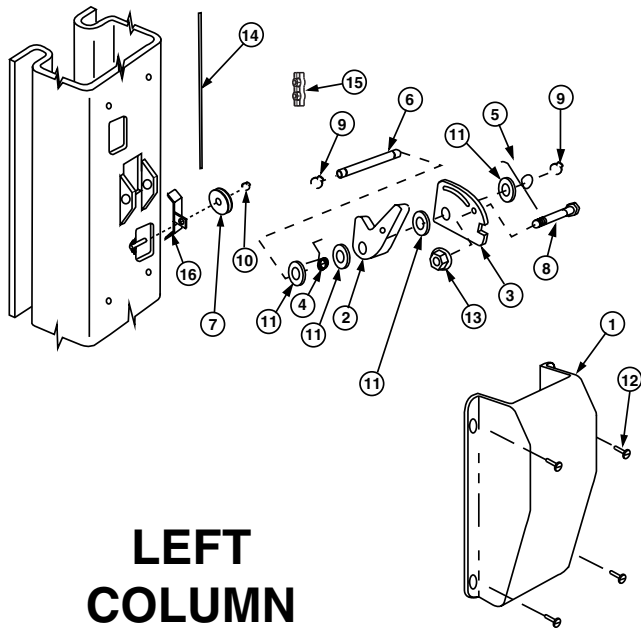
ITEM NO.	DESCRIPTION	PART NO.
1	Straight Adapter	FJ7352-3



## RIGHT COLUMN

### LOCKING LATCH DETAIL PARTS LIST

ITEM NO.	DESCRIPTION	PART NO.
1	Control Side Cover	FJ7452
2	Locking Latch Dog	FJ7382-7
3	Control Plate	FJ7594-2
4	Spring	FJ7566-10
5	Spring	FJ7382-9
6	Latch Shaft	FJ7382-34
7	Locking Latch Sheave	FJ7322
8	Handle	FJ7382-18
9	Ball Handle	FC134-91
10	Truarc Klipping #5304-75 for $\frac{3}{4}$ " Shaft	41411
11	Truarc Klipping #5304-37 for $\frac{3}{8}$ " Shaft	41410
12	1 $\frac{1}{2}$ " O.D. x $\frac{3}{4}$ " I.D. x .045" Mach. Bush.	41388
13	5/16"-18NC x 3/8" Lg. Button Head Cap Screw (Allen socket)	N/A
14	$\frac{3}{8}$ " - 16NC Hex Jam Nut	40658
15	Shoulder Bolt, $\frac{5}{16}$ " x 1" - $\frac{1}{4}$ " 20 NC	40220
16	$\frac{1}{4}$ "-20NC Locknut	41423
17	Latch Cable -Standard Height	FJ7594-1
	For EH-2 & EH-4 Model	FJ7595-1
18	Slot Cover	N62
19	Latch Sheave Cover	N64
20	$\frac{1}{2}$ " Lg. x $\frac{3}{16}$ " O.D. Spacer	N62-1
21	Push nut	N62-2



## LEFT COLUMN

### LOCKING LATCH DETAIL PARTS LIST

ITEM NO.	DESCRIPTION	PART NO.
1	Latch Cover	FJ7451
2	Locking Latch Dog	FJ7382-7
3	Control Plate	FJ7382-5
4	Spring	FJ7566-10
5	Spring	FJ7382-9
6	Latch Shaft	FJ7382-34
7	Locking Latch Sheave	FJ7322
8	Shoulder Bolt $\frac{5}{16}$ " x 1" - $\frac{1}{4}$ "-20NC	40220
9	Truarc Klipping #5304-75 for $\frac{3}{4}$ " Shaft	41411
10	Truarc Klipping #5304-37 for $\frac{3}{8}$ " Shaft	41410
11	1 $\frac{1}{2}$ " O.D. x $\frac{3}{4}$ " I.D. x .045" Mach. Bush.	41388
12	5/16"-18NC x 3/8" Lg. Button Head Cap Screw (Allen socket)	N/A
13	$\frac{1}{4}$ "-20NC Locknut	41423
14	Latch Cable -Standard Height	FJ7594-1
	For EH-2 & EH-4 Model	FJ7595-1
15	Cable Clamp	N63-1
16	Sheave Cover	N64

World Headquarters:

**Rotary Lift**  
**A Dover Industries Company**  
 2700 Lanier Drive  
 Madison, Indiana USA  
 Phone: 1.800.640.5438  
 Phone: 1.812.273.1622  
 Fax: 1.800.578.5438  
 Fax: 1.812.273.6502  
 Email: userlink@rotarylif.com  
 Internet: www.rotarylif.com

Italy:

(European Manufacturing Headquarters)  
**Rotary Lift Europe S.r.l.**  
 Manoppello Scalo  
 Phone: +39.085.856.9058  
 Fax: +39.085.856.9059  
 Email: rotary.europe@rotaryeurope.com

Germany:

(European Sales Headquarters)  
**Rotary Lift Germany GmbH**  
 Bensheim  
 Phone: +49.6251.582.640  
 Fax: +49.6251.582.6422  
 Email: sales@rotarylif.de

United Kingdom:

(Regional Sales Office)  
**Rotary Lift (UK) LTD.**  
 Halstead, Essex  
 Phone: +44.178.747.7711  
 Fax: +44.178.747.7720  
 Email: sales@rotarylif.idps.co.uk

Canada:

(Regional Sales Office)  
**Dover Corp. (Canada) LTD.**  
 Rotary Lift Division  
 Mississauga, Ontario  
 Phone: 905.812.9920  
 Fax: 905.812.9719  
 Email: canada@rotarylif.com

Austral-Asia:

(Regional Sales Office)  
**Rotary Lift Austral/Asia**  
 Petaling Jaya, Malaysia  
 Phone: +60.3.7660.0285  
 Fax: +60.3.7660.0289  
 Email: rlim@rotarylif.com

